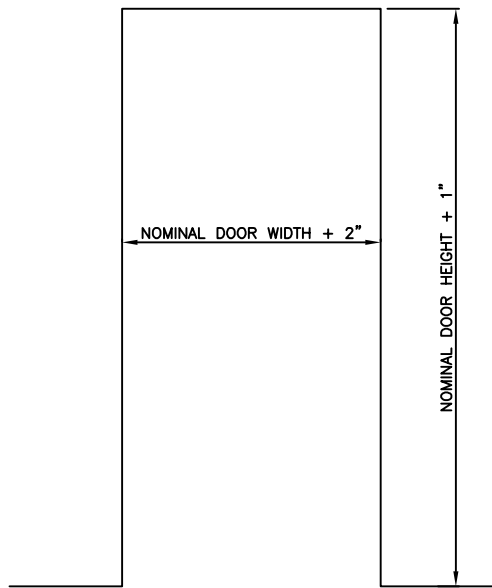
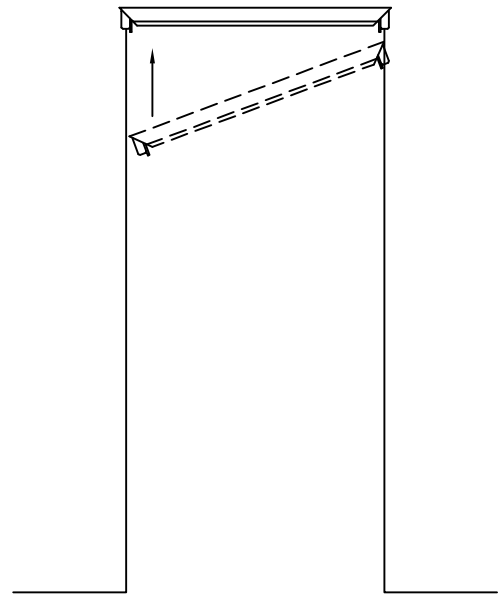


1.



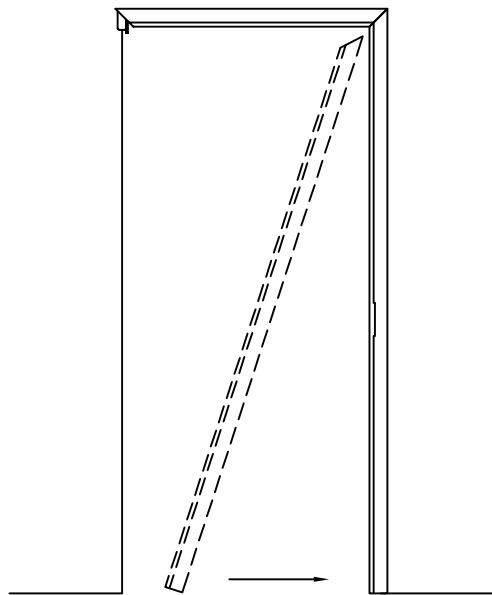
PREPARE ROUGH OPENING AND REINFORCE WALLS AS REQUIRED FOR SPECIFIED FRAME ANCHOR.  
3070 NOMINAL = 38" (WIDTH) X 85" (HEIGHT)

2.



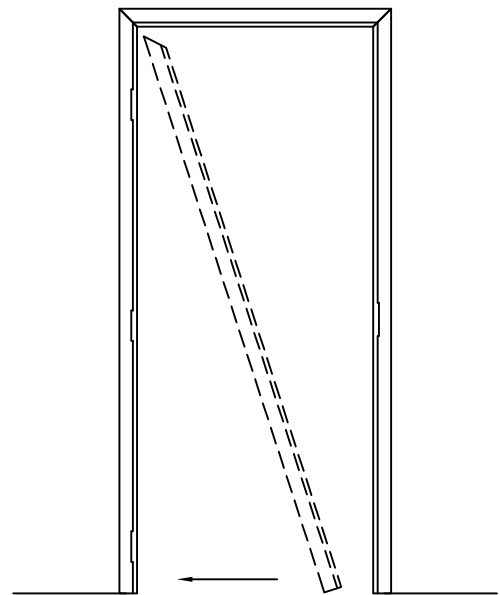
LIFT HEADER INTO PLACE UNTIL SEATED AGAINST THE ROUGH OPENING AND HOLD FOR JAMB INSTALLATION.

3.



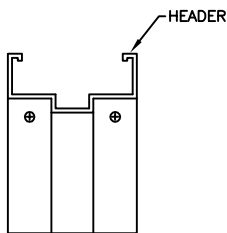
INSTALL STRIKE JAMB BY SLIDING OVER WALL AT TOP AND ENGAGING CORNER REINFORCEMENT INTO THE JAMB. PIVOT INTO PLACE.

4.



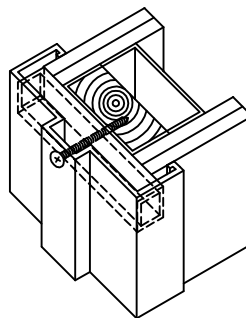
INSTALL HINGE JAMB BY SLIDING OVER WALL AT TOP AND ENGAGING CORNER REINFORCEMENT INTO THE JAMB. PIVOT INTO PLACE.

5.



TIE HEADER AND JAMBS TOGETHER BY INSTALLING THE PROVIDED #12x1" S/S SCREWS IN THE PRE-ALIGNED ATTACHMENT HOLES.

6.



INSTALL ANCHORS, SHIM AS REQUIRED, CAULK AS NEEDED.  
(REINFORCED METAL STUD WITH DRYWALL SHOWN FOR EXAMPLE PURPOSES.)



INSTALLATION INSTRUCTIONS  
WRAPPED WALL

DATE	SCALE	DWG NAME
7/22/04	NONE	WWINSTALL