

## STRUCTURAL TUBE FRAME INSTALLATION INSTRUCTIONS

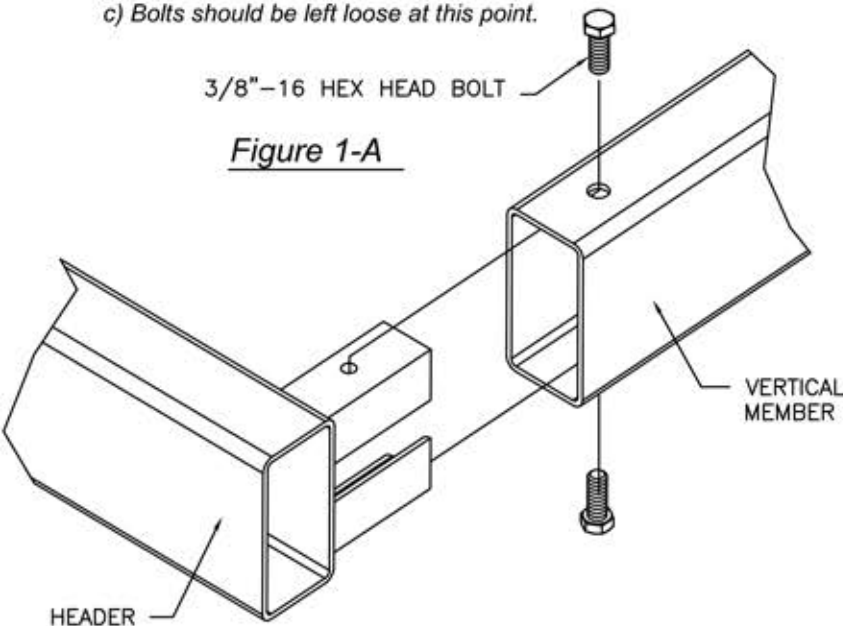
### STEP #1

See fig. 1-A

- a) Place vertical members on floor in position to raise into rough opening.
- b) slide header into uprights and attach using four  $\frac{3}{8}$ "-16 hex head bolts (provided)
- c) Bolts should be left loose at this point.

$\frac{3}{8}$ "-16 HEX HEAD BOLT

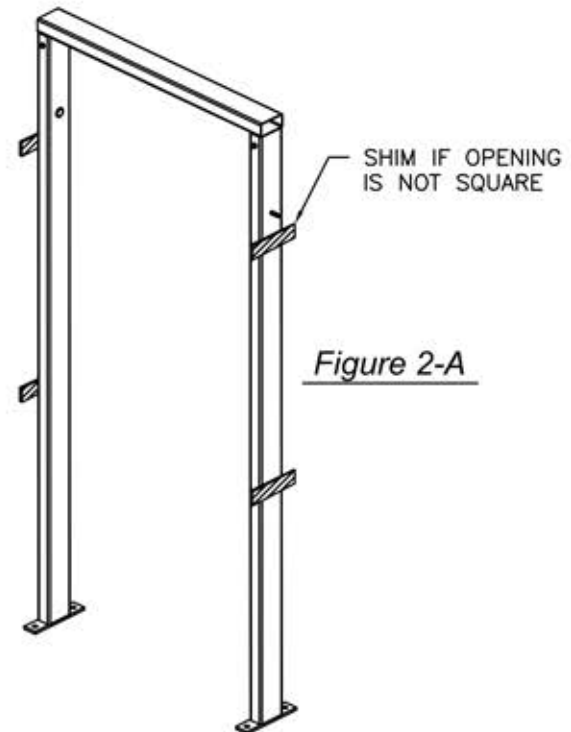
Figure 1-A



### STEP #2

See fig. 2-A

- a) Stand frame up and slide into rough opening.
- b) Check to see that the floor is level, and if necessary add shims under one leg of the frame to make sure that it is square and plumb.
- c) If jamb is not square, add shims so that the steel frame will be square (**it must be square before hanging door**).
- d) Make sure opening in the steel frame is the width needed for the size of the door.
- e) After confirming that the frame is square and plumb (frame width must be exactly the same at the top and bottom) attach to the floor. Fasteners to attach frame assembly to the floor are by others.



### STEP #3

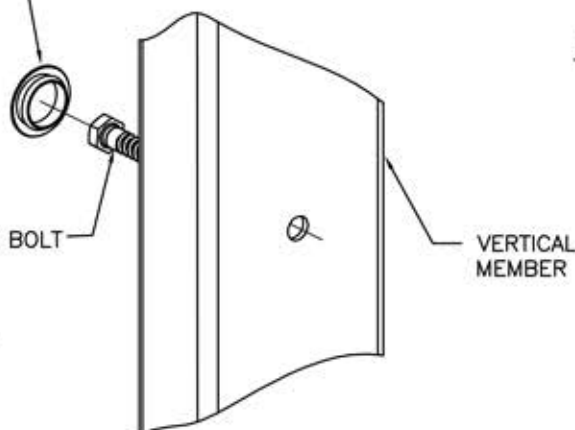
See fig. 3-A

- a) After floor plates are installed, use  $\frac{3}{8}$ " lag bolts (provided) to fasten steel frame to jamb at hinge location.
- b) Finish tightening bolts that attach the header to the vertical members.

USE PLUG ONLY ON LEADING EDGE JAMB OF SINGLE PANEL DOOR FRAMES

$\frac{3}{8}$ " LAG BOLT

Figure 3-A



### STEP #4

- a) Hang the door using installation instructions included with the door.
- b) The steel frame has been pre-drilled for the particular door that was ordered.