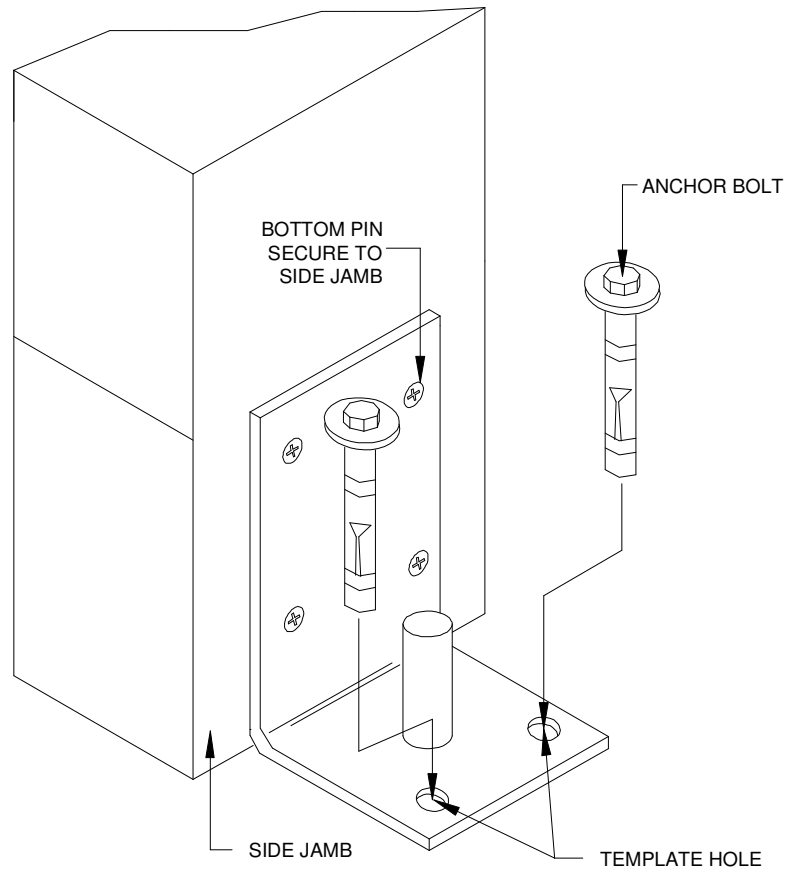


## FIELD INSTALLATION INSTRUCTIONS FOR A STANDARD BOTTOM PIN ASSEMBLY



### INSTRUCTIONS:

1. SECURE BOTTOM PIN ASSEMBLY TO SIDE JAMB WITH SCREWS SUPPLIED
2. USING HOLES IN PIN ASSEMBLY AS A TEMPLATE DRILL A 3/8" HOLE 2-2/12" DEEP
3. REMOVE TAG FROM ASSEMBLED ANCHOR
4. INSERT IN HOLE AND TAP UNTIL WASHER AND BOLT HEAD ARE SEATED AGAINST PIN ASSEMBLY
5. TIGHTEN BOLT UNTIL SNUG

ELIASON CORPORATION [www.eliasoncorp.com](http://www.eliasoncorp.com)

P.O. Box 2128 Kalamazoo, MI 49003  
Telephone: 269-327-7003/800-828-3655  
Fax: 269-327-7006/800-828-3577  
email: [doors@eliasoncorp.com](mailto:doors@eliasoncorp.com)

P.O. Box 1026 Woodland, CA. 95776  
Telephone: 530-662-5494/800-828-2655  
Fax: 530-662-5192/800-662-5192  
email: [doors@eliasonwest.com](mailto:doors@eliasonwest.com)

ELIASON CORP. © 2003

170-262

