

SPEC SHEET SG8000

Quote/Order# _____

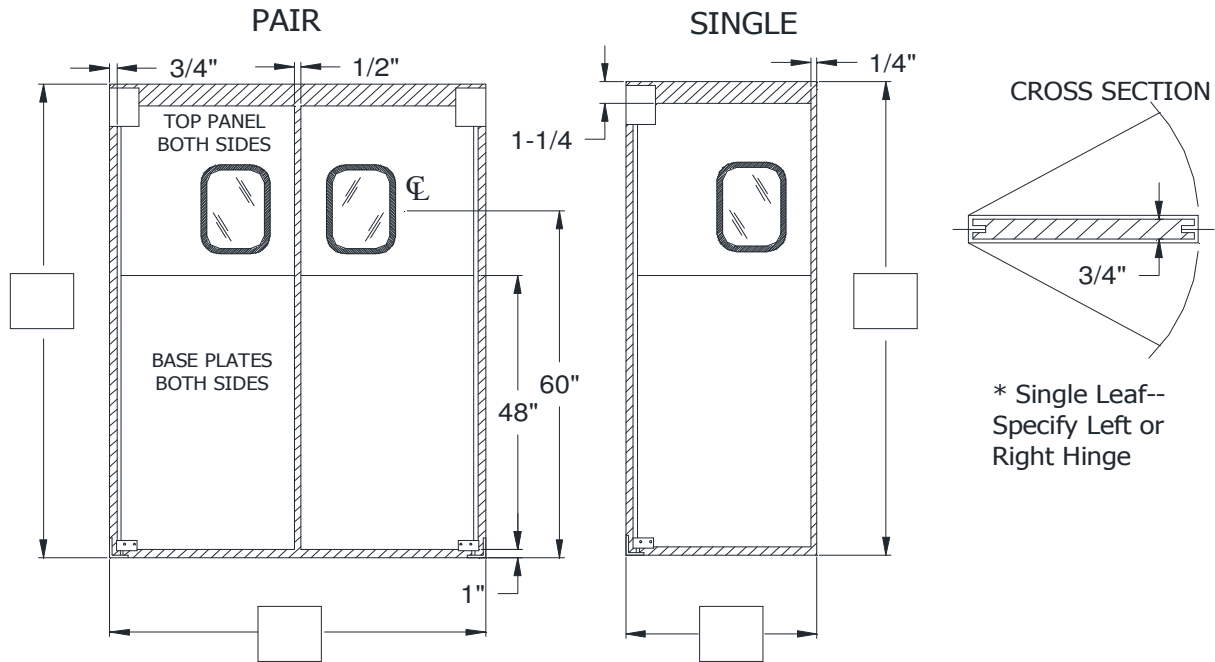
Company Name: _____

Attention: _____

Email: _____

Phone#: _____

Job Name: _____



Fill in Opening Size in the Blanks Provided Above

STANDARD SPECIFICATIONS: Door body 3/4" exterior grade solid wood core, metal clad. 48" high stainless steel base plates, both sides. .032" tempered aluminum alloy with satin anodized finish top panels, both sides. 9" x 14" clear acrylic safety window set in black rubber molding. Full perimeter seal. Door assembly includes mid-rise V-cam hinges, Bottom Saddle, and Bottom Pin.

INSTALLATION DETAILS: Jambs must be plumb and square. Minimum double 2 x 4 inch wood construction or equivalent. Hollow metal jambs should be reinforced at hinge locations.

SPECIFIC DETAILS FOR DOOR CONSTRUCTION:

JAMB GUARD: [] 11" Polyethylene [] 11" Polyethylene With Floor Plate [] 6" Polyethylene
 [] 11" Aluminum [] 11" Aluminum With Floor Plate [] 6" Aluminum

WINDOW: [] Standard 9" X 14" In Black Rubber Molding, Up 60" to Center of Window from Floor
 [] Other: _____

PLATE: Height: [] Standard 48" Height [] Other Height: _____
 Color/Material: [] Standard Stainless Steel [] Galvanized Steel [] Black ABS
 [] Other: _____

BUMPER: Standard Black Tear Drop Polyethylene, Height: [] 12 [] 18 [] 24 [] 30 [] 36 [] 42
 Aluminum Bumper Strip: []

OTHER SPECIFICATIONS: _____

APPROVED BY: _____

DATE: _____

Eliason Corporation