

SPEC SHEET SCP-CAFÉ/GATE

Quote/Order# _____

Company Name: _____

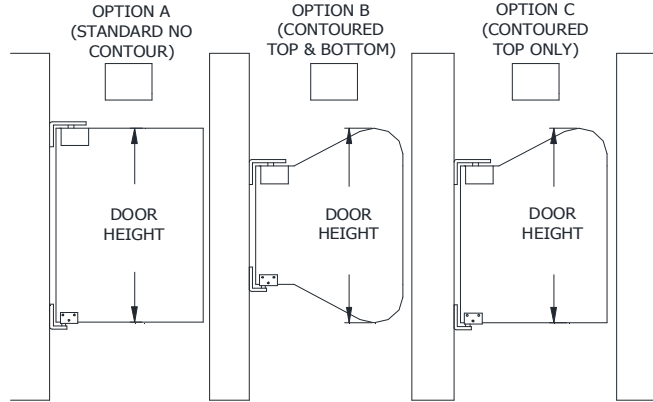
Attention: _____

Email: _____

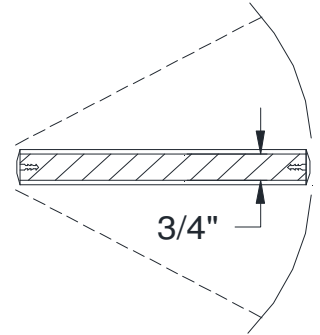
Phone#: _____

Job Name: _____

CHECK ONE BOX FOR OPTION WANTED



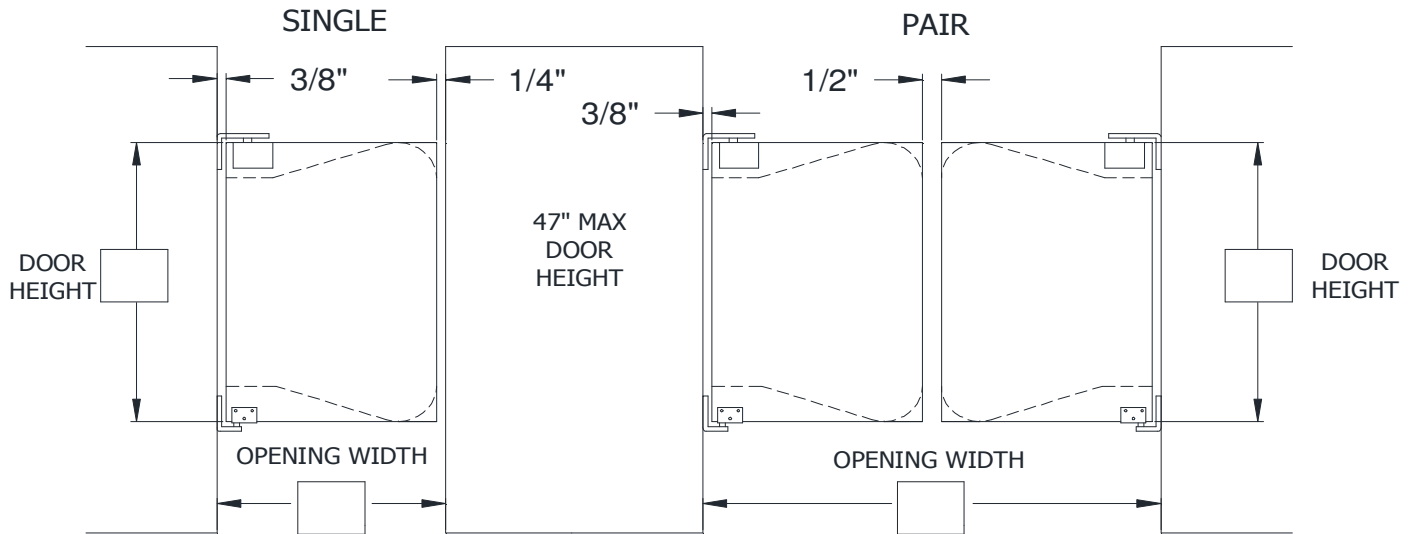
CROSS SECTION



* Single Leaf-- Specify Left or Right Hinge

* No Contour unless specified otherwise

Fill in Door Sizing Below. Will Need Door Height (Based On Contour Chosen) and the Opening Width.



STANDARD SPECIFICATIONS: Door body 3/4" exterior grade solid wood core with .032" High Pressure Laminate(HPL) both sides. Straight cut (no countours) is standard. Door assembly includes the original "NO SPRING" Easy Swing® hinges and both 1/4" - 20 x 1" thread cutting screws and #14 -1-1/2" sheet metal/wood screws for jamb by others. (Minimum cafe/gate height is 24")

INSTALLATION DETAILS: Jambs must be plumb and square. Minimum double 2 x 4 inch wood construction or equivalent. Hollow metal jambs should be reinforced at hinge locations.

SPECIFIC DETAILS FOR DOOR CONSTRUCTION:

DOOR FINISH: Specify Laminate: _____

ADDITIONAL SPECIFICATIONS: _____

APPROVED BY: _____

DATE: _____

Eliason Corporation