

SPEC SHEET SCP-CAFÉ/GATE WITH POST

Quote/Order# _____

Company Name: _____

Attention: _____

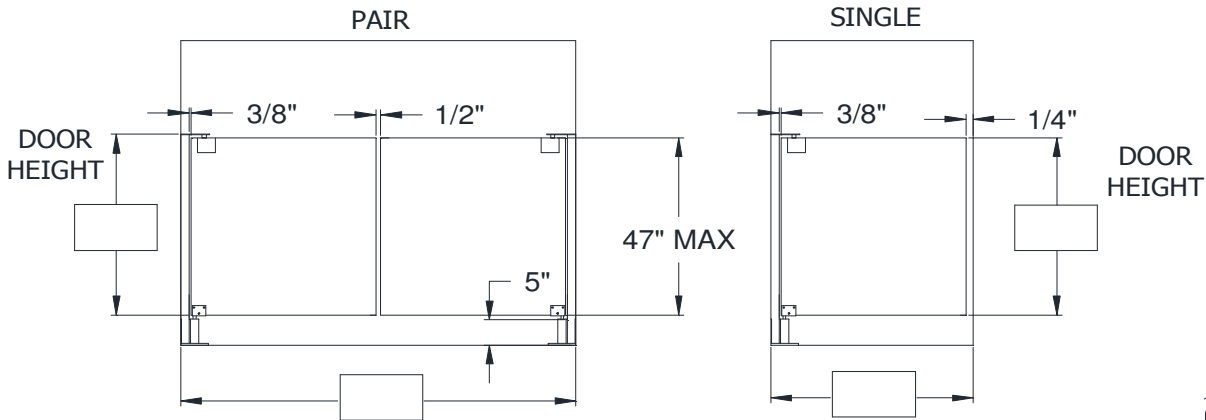
Email: _____

Phone#: _____

Job Name: _____

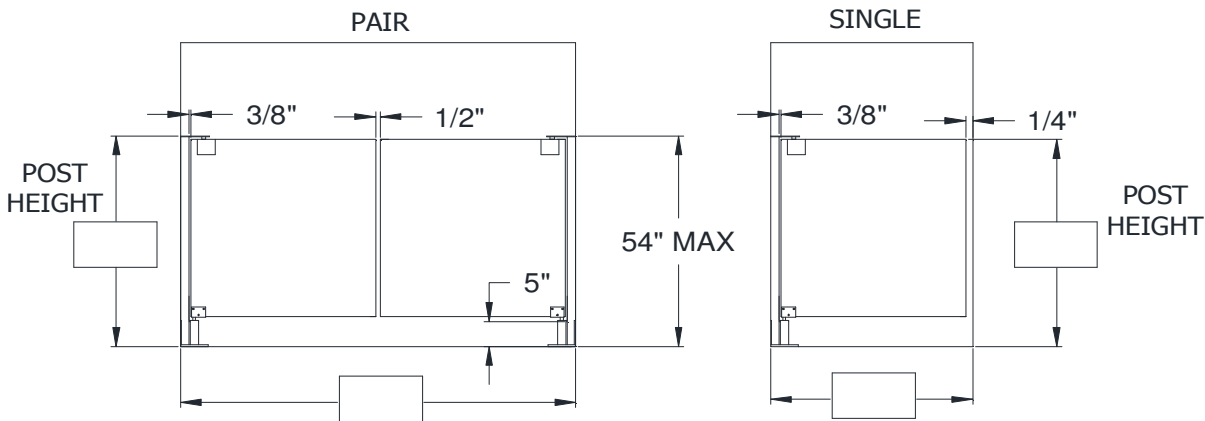
Fill in either Door Height or Post Height, and Opening Width Below. ONLY FILL OUT ONE SET OF MEASUREMENTS

FOR USE IF DOOR HEIGHT IS KNOWN:



FOR USE IF POST HEIGHT IS KNOWN:

IF DOOR SIZING WAS FILLED IN ABOVE, DO NOT SPECIFY NUMBERS BELOW



* Single Leaf-- Specify Left or Right Hinge

SPECIFICATIONS: Door body 3/4" exterior grade solid wood core with .032" High Pressure Laminate (HPL) both sides. Straight cut only. 1-1/2" square steel free standing gate post cut to order with Eliason Easy Swing® hinges.

INSTALLATION DETAILS: Jambs must be plumb and square. Minimum double 2 x 4 inch wood construction or equivalent. Hollow metal jambs should be reinforced at hinge locations.

SPECIFIC DETAILS FOR DOOR CONSTRUCTION:

DOOR FINISH: Specify Laminate: _____

ADDITIONAL SPECIFICATIONS: _____

APPROVED BY: _____

DATE: _____

Eliason Corporation