

# SPEC SHEET SCP-3

Quote/Order# \_\_\_\_\_

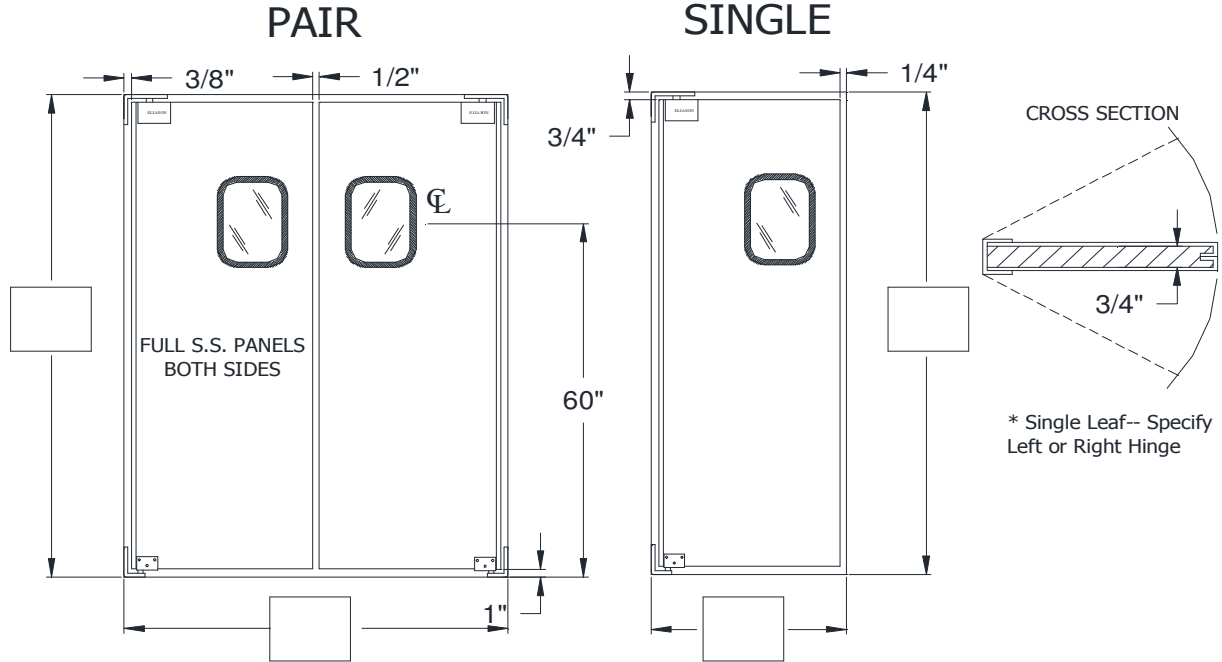
Company Name: \_\_\_\_\_

Attention: \_\_\_\_\_

Email: \_\_\_\_\_

Phone#: \_\_\_\_\_

Job Name: \_\_\_\_\_



**Fill in Opening Size in the Blanks Provided Above**

**STANDARD SPECIFICATIONS:** Door body 3/4" exterior grade solid wood core, metal clad. Full height stainless steel panels, both sides including hinge covers. 9" x 14" clear acrylic safety window set in black rubber molding. Door assembly includes the original "NO SPRING" Easy Swing® hinges and both 1/4" - 20 x 1" thread cutting screws and #14 -1-1/2" sheet metal/wood screws for jamb by others.

**INSTALLATION DETAILS:** Jambs must be plumb and square. Minimum double 2 x 4 inch wood construction or equivalent. Hollow metal jambs should be reinforced at hinge locations.

**SPECIFIC DETAILS FOR DOOR CONSTRUCTION:**

WINDOW:         Standard 9" X 14" In Black Rubber Molding, Up 60" to Center of Window from Floor  
                       Other: \_\_\_\_\_

JAMB GUARD:    3" X 9"    5" X 18"

PLATE:            Specify Height: \_\_\_\_\_  
                      Color/Material:  Stainless Steel    Galvanized Steel    Black ABS    Other \_\_\_\_\_

BUMPER:        Standard Black Tear Drop Polyethylene, Height:  12    18    24    30    36    42  
                      Aluminum Bumper Strip:

OTHER SPECIFICATIONS: \_\_\_\_\_

**APPROVED BY:** \_\_\_\_\_

**DATE:** \_\_\_\_\_

**Eliaison Corporation**