

SPEC SHEET SCP-2

Quote/Order# _____

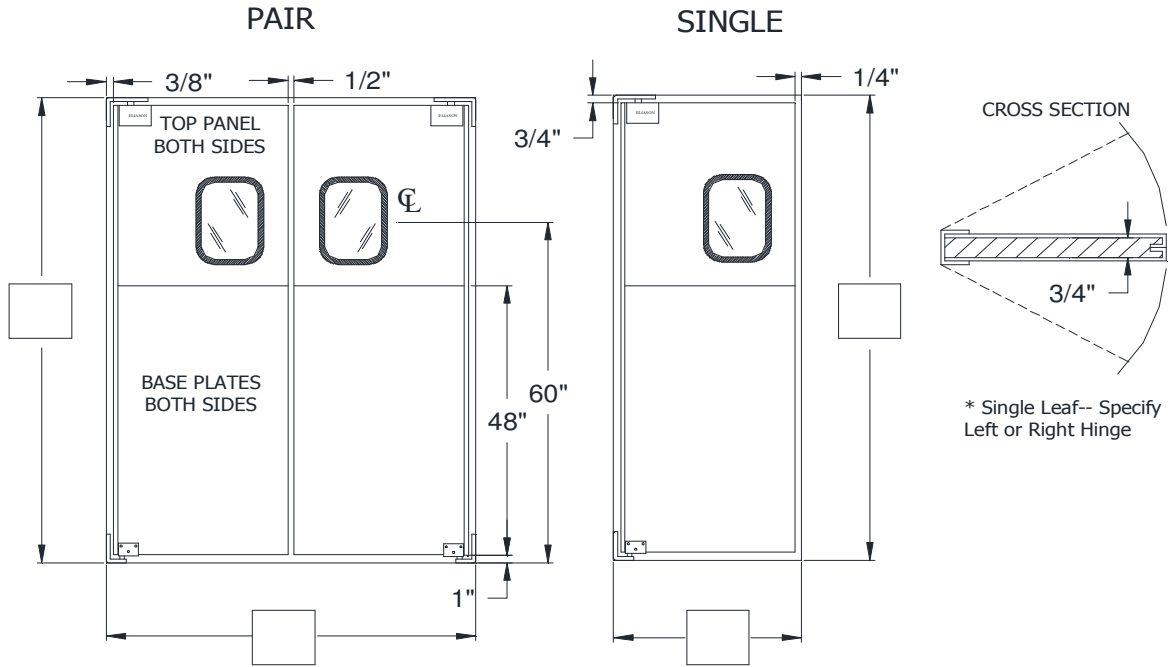
Company Name: _____

Attention: _____

Email: _____

Phone#: _____

Job Name: _____



Fill in Opening Size in the Blanks Provided Above

STANDARD SPECIFICATIONS: Door body 3/4" exterior grade solid wood core, metal clad. 48" high impact plates - stainless steel front, galvanized steel rear. Impact plates applied with 5/16" diameter through rivets. .032" tempered aluminum alloy with satin anodized finish top panels, both sides. 9" x 14" clear acrylic safety window set in black rubber molding. Door assembly includes the original "NO SPRING" Easy Swing® hinges and both 1/4" - 20 x 1" thread cutting screws and #14 -1-1/2" sheet metal/wood screws for jamb by others.

INSTALLATION DETAILS: Jambs must be plumb and square. Minimum double 2 x 4 inch wood construction or equivalent. Hollow metal jambs should be reinforced at hinge locations.

SPECIFIC DETAILS FOR DOOR CONSTRUCTION:

JAMB GUARD: [] 3" X 9" [] 5" X 18"

WINDOW: [] Standard 9" X 14" In Black Rubber Molding, Up 60" to Center of Window from Floor
 [] Other: _____

PLATE: Height: [] Standard 48" Height [] Other Height: _____
 Color/Material: [] Standard Stainless Steel Front / Galvanized Steel Back
 [] Other: _____

BUMPER: Standard Black Tear Drop Polyethylene, Height: [] 12 [] 18 [] 24 [] 30 [] 36 [] 42
 Aluminum Bumper Strip: []

OTHER SPECIFICATIONS: _____

APPROVED BY: _____

DATE: _____