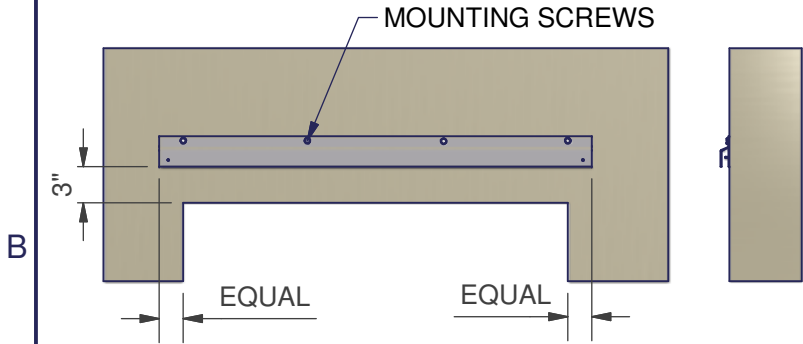


2

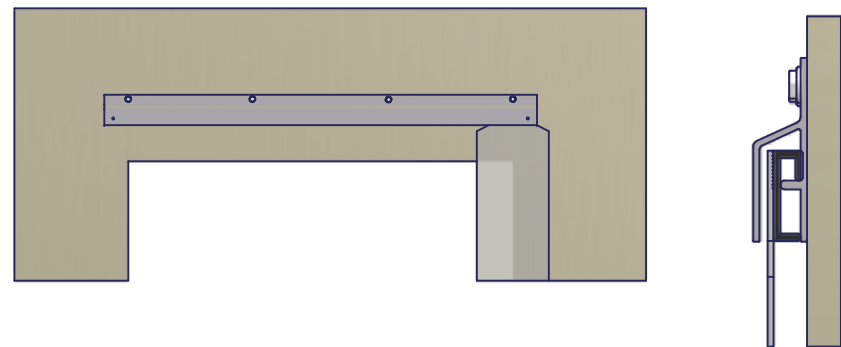
1

REVISION HISTORY				
REV	DATE	DESCRIPTION	BY	AP
1			bclark	

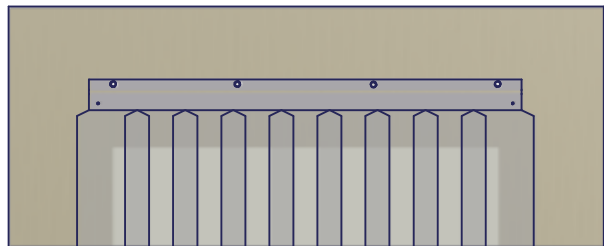
OLD PART NO.		A	R-M INST	REV.
--------------	--	----------	----------	------



STEP 1 - CHECK THAT THE SIZE ON THE SHIPPING BOX MATCHES THE OPENING SIZE. MOUNT THE ALUMINUM BRACKET LEVEL, 3" ABOVE THE OPENING, WITH EQUAL OVERLAP OF BRACKET OVER EACH SIDE OF THE OPENING.

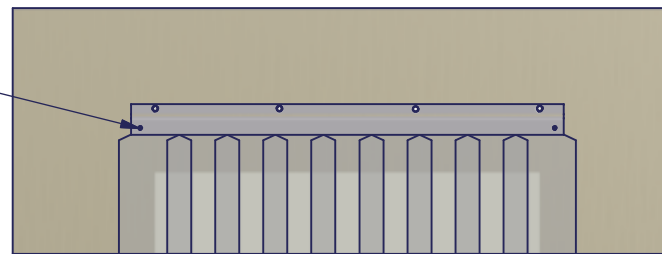


STEP 2 - INSERT THE FIRST STRIP INTO THE ALUMINUM BRACKET, SLIDING STRIP TO ONE END, AS SHOWN. THE OPEN SIDE OF THE BLACK BRACKET ON THE STRIP SHOULD FACE TOWARD THE WALL.



STEP 3 - CONTINUE INSERTING THE REMAINING STRIPS INTO PLACE. THE BLACK BRACKETS SHOULD STACK UP, END TO END, SO THAT THEY ARE APPROXIMATELY FLUSH WITH BOTH ENDS OF THE ALUMINUM BRACKET.

RETAINING SCREW LOCATION



STEP 4 - INSERT THE SUPPLIED RETAINING SCREWS INTO THE PRE-DRILLED HOLES, IN THE ALUMINUM TRACK. THIS WILL LOCK THE STRIPS INTO POSITION. TRIM STRIPS TO THE DESIRED LENGTH. GENERALLY, THIS WILL BE 1" ABOVE FLOOR LEVEL.

NOTES:

1. All dimensions are in inches unless otherwise noted.
2. Deburr and break all sharp edges.

UNLESS OTHERWISE SPECIFIED				MATERIAL:	
TOLERANCE MACHINED SURFACES					
RADII	FRACTIONS	DECIMALS	ANGLES	FINISH:	
	$\pm \frac{1}{64}$.XX $\pm .015$.XXX $\pm .005$	$\pm 1^\circ$		
THIS DRAWING FURNISHED FOR ENGINEERING INFORMATION AND REFERENCE ONLY AND DOES NOT CONVEY ANY REPRODUCTION OR MANUFACTURING RIGHTS				SUPERSEDES	INTERCHANGEABLE
USED ON				SUPERSEDED BY	WEIGHT
				INTERCHANGEABLE	



ELIASON[®]

NAME:
INSTALLATION INSTRUCTIONS FOR ELIASON
RAPID-MOUNT STRIP DOOR

DR:	BC	SCALE:	NTS
CK:		PART NO.:	
DATE:	4/29/2014	A	R-M INST

2

1