

# SPEC SHEET PG-500

Quote/Order# \_\_\_\_\_

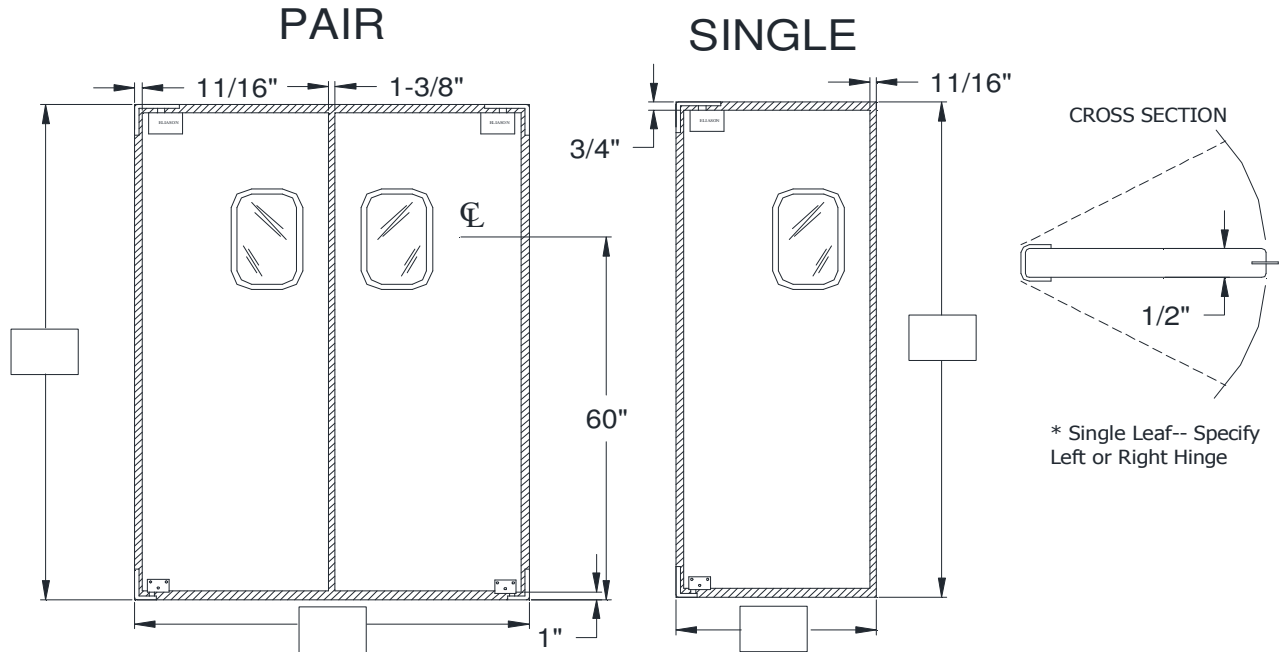
Company Name: \_\_\_\_\_

Attention: \_\_\_\_\_

Email: \_\_\_\_\_

Phone#: \_\_\_\_\_

Job Name: \_\_\_\_\_



**Fill in Opening Size in the Blanks Provided Above**

**STANDARD SPECIFICATIONS:** 1/2" thick USDA accepted high-density polyethylene door panels. Stainless steel back channel. 9" x 14" clear acrylic window set in black rubber molding. Full perimeter seal. Door assembly includes the original "NO SPRING" Easy Swing® hinges and both 1/4" - 20 x 1" thread cutting screws and #14 -1-1/2" sheet metal/wood screws for jamb by others.

**INSTALLATION DETAILS:** Jambs must be plumb and square. Minimum double 2 x 4 inch wood construction or equivalent. Hollow metal jambs should be reinforced at hinge locations.

**SPECIFIC DETAILS FOR DOOR CONSTRUCTION:**

DOOR COLOR: [ ] Metallic Gray [ ] Black [ ] White [ ] Red [ ] Chocolate Brown [ ] Beige [ ] Cloud Gray  
 [ ] P.C. Dark Gray

WINDOW: [ ] Standard 9" X 14" In Black Rubber Molding, Up 60" to Center of Window from Floor  
 [ ] Other: \_\_\_\_\_

JAMB GUARD: [ ] 3" X 9"

PLATE: Specify Height: \_\_\_\_\_  
 Color/Material: [ ] Black [ ] Same Color As Door [ ] Stainless Steel [ ] Other \_\_\_\_\_

BUMPER: Standard Black Tear Drop Polyethylene [ ] 12 [ ] 18 [ ] 24 [ ] 30 [ ] 36 [ ] 42  
 Aluminum Bumper Strip: [ ]

OTHER SPECIFICATIONS: \_\_\_\_\_

**APPROVED BY:** \_\_\_\_\_

**DATE:** \_\_\_\_\_