

SPEC SHEET PE-500

Quote/Order# _____

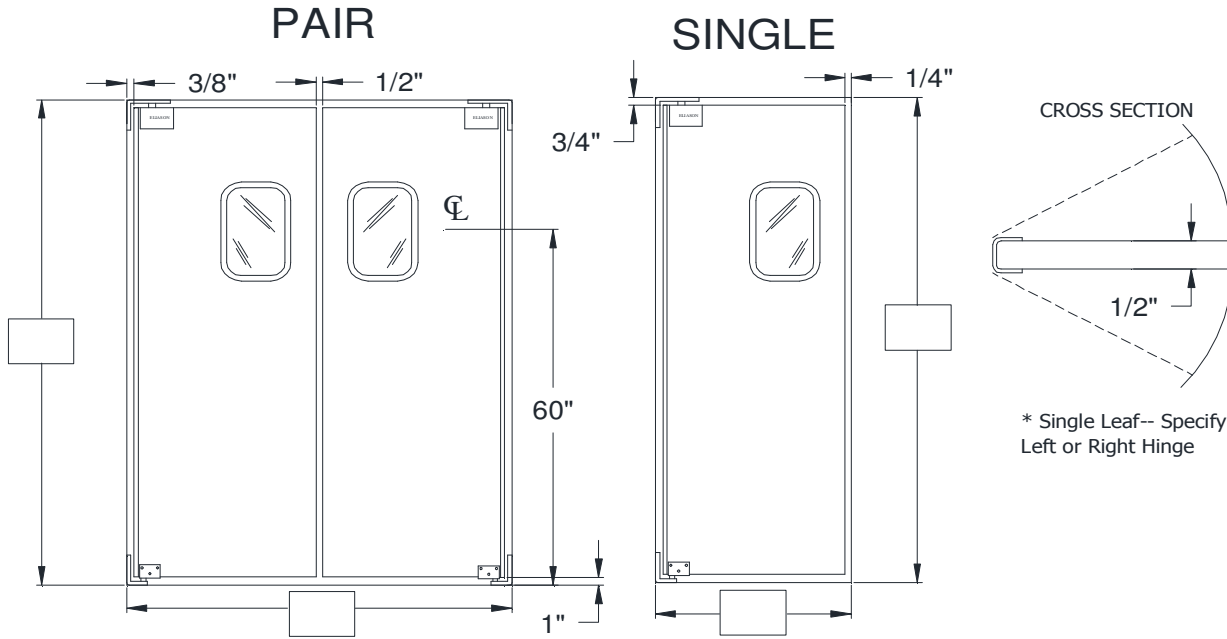
Company Name: _____

Attention: _____

Email: _____

Phone#: _____

Job Name: _____



Fill in Opening Size in the Blanks Provided Above

STANDARD SPECIFICATIONS: 1/2" thick USDA accepted high-density polyethylene (HDPE) door panels. 16 gauge stainless steel back channel. 9" x 14" clear acrylic window set in black rubber molding. Door assembly includes the original "NO SPRING" Easy Swing® hinges and both 1/4" - 20 x 1" thread cutting screws and #14 -1-1/2" sheet metal/wood screws for jamb by others.

INSTALLATION DETAILS: Jambs must be plumb and square. Minimum double 2 x 4 inch wood construction or equivalent. Hollow metal jambs should be reinforced at hinge locations.

SPECIFIC DETAILS FOR DOOR CONSTRUCTION:

DOOR COLOR: Metallic Gray Black White Red Chocolate Brown Beige Cloud Gray
 P.C. Dark Gray

WINDOW: Standard 9" X 14" In Black Rubber Molding, Up 60" to Center of Window from Floor
 Other: _____

JAMB GUARD: 3" X 9"

PLATE: Specify Height: _____
 Color/Material: Black Same Color As Door Stainless Steel Other _____

BUMPER: Standard Black Tear Drop Polyethylene 12 18 24 30 36 42
 Aluminum Bumper Strip:

OTHER SPECIFICATIONS: _____

APPROVED BY: _____

DATE: _____

Eliason Corporation