

THE ELIASON® RTS-9000

Ideal for Retail and Grocery Applications



RTS-9000 IMPACT TRAFFIC DOOR

The Eliason RTS-9000 is custom manufactured to fit your opening and is designed for use in a wide variety of applications, including grocery, retail and commercial. Each 1-½" door panel is constructed from a structural PVC internal framework, clad with textured, impact resistant ABS face sheets, and foamed in place with CFC-free urethane foam to provide excellent insulation. 14" x 16" scratch-resistant acrylic windows set in black rubber molding are standard, with double-glazed flush windows available. The RTS-9000 features integral side and bottom gaskets, and a top-mounted header gasket to minimize cold air losses.



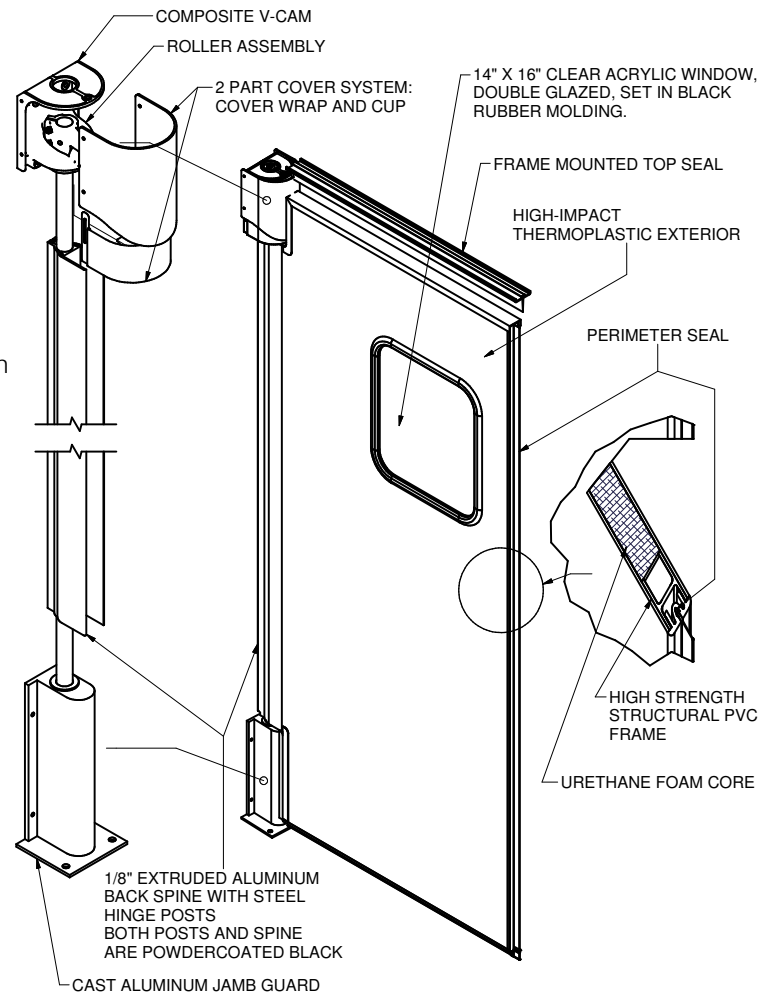
ELIASON®

Eliason RTS-9000 Doors

product features
& specifications

An Excellent Choice for Retail and Grocery Applications

- The RTS-9000 is one of the most durable impact traffic doors and is ideal for grocery, retail and commercial applications.
- The fully composite V-Cam hinge assembly resists corrosion and rust and can travel up to 120° in each direction. Permanently sealed roller bearings and an extruded aluminum back spine ensure smooth operation and durability.
- The RTS-9000 is available with optional Easy Spring Bumpers, impact plates, and various window sizes and frames.
- A full perimeter gasket system makes the RTS-9000 appropriate for walk-in cooler applications.



Specifications

DOOR BODY: Urethane foam core with a high strength structural PVC frame, 1 1/2" total door thickness.

FINISH: High-impact, textured thermoplastic exterior.

WINDOWS: 14" x 16" clear acrylic, double glazed set in black rubber molding. Flush mounted double glazed available.

HINGES: Composite V-Cam hinge system with permanently sealed roller bearings and extruded aluminum back spine with steel hinge posts, powdercoated black.

OPTIONS: Impact plates, various window sizes.

EASY SPRING BUMPER: Standard 18" high (both sides), Optional 24", 36" or 42" high bumpers or scuff plates.

Available Colors:

Cloud Gray	Beige	Medium Brown	Antique White
Chocolate Brown	Off White	Forest Green	Red
Navy	Royal Blue	Cadet Blue	White
Fudge Brown	Gray	Metallic Gray	Black



Over 60 Years Strong • www.eliasoncorp.com • (800) 828-3655

9229 SHAVER ROAD, KALAMAZOO, MI 49024 • FAX (800) 828-3577

