

SPEC SHEET LWP-CAFÉ WITH POST

Quote/Order# _____

Company Name: _____

Attention: _____

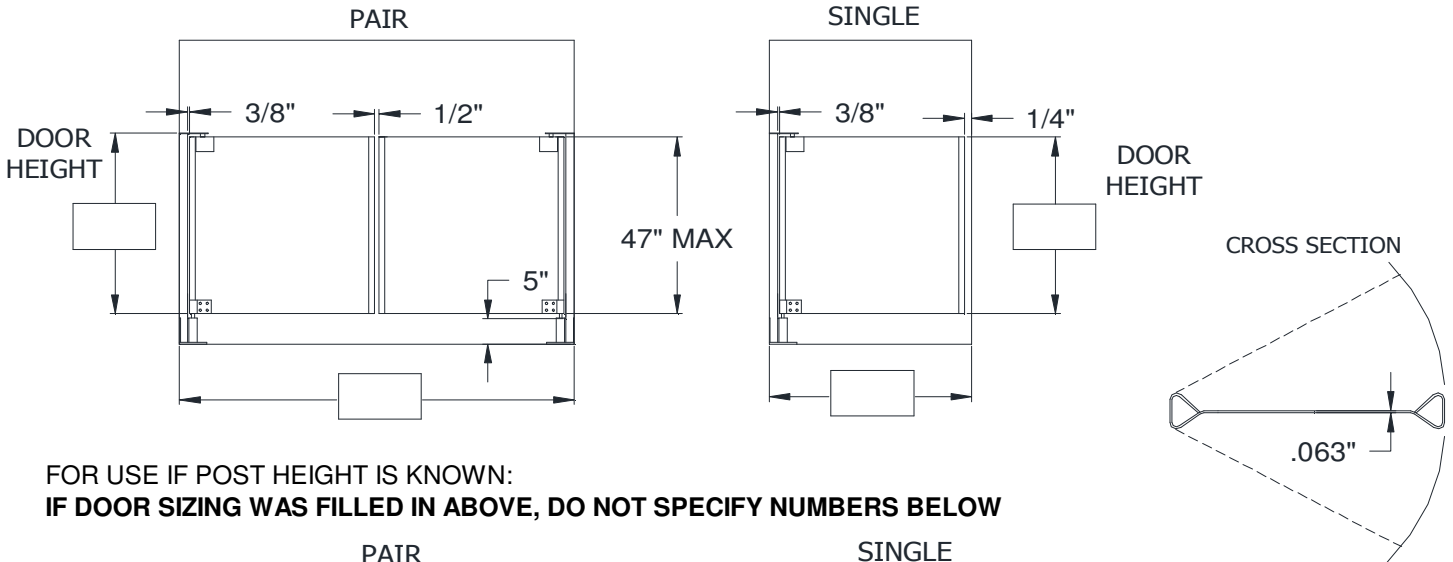
Email: _____

Phone#: _____

Job Name: _____

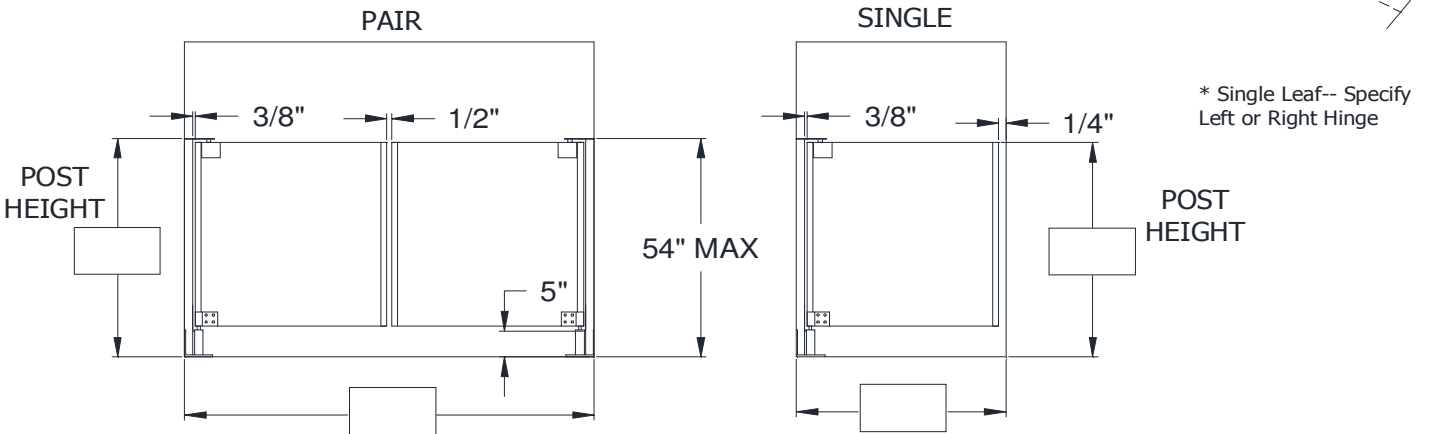
Fill in either Door Height or Post Height, and Opening Width Below. ONLY FILL OUT ONE SET OF MEASUREMENTS

FOR USE IF DOOR HEIGHT IS KNOWN:



FOR USE IF POST HEIGHT IS KNOWN:

IF DOOR SIZING WAS FILLED IN ABOVE, DO NOT SPECIFY NUMBERS BELOW



STANDARD SPECIFICATIONS: Door body .063" tempered aluminum alloy, satin anodized finish. Door assembly includes the original "NO SPRING" Easy Swing® hinges and both 1/4" - 20 x 1" thread cutting screws and #14 -1-1/2" sheet metal/wood screws for jamb by others. (Minimum cafe/gate height is 24")

INSTALLATION DETAILS: Jambs must be plumb and square. Minimum double 2" x 4" wood construction or equivalent. Hollow metal jambs should be reinforced at hinge locations.

SPECIFIC DETAILS FOR DOOR CONSTRUCTION:

ADDITIONAL SPECIFICATIONS: _____

APPROVED BY: _____

DATE: _____

Eliason Corporation