

SPEC SHEET LWP-CAFÉ

Quote/Order# _____

Company Name: _____

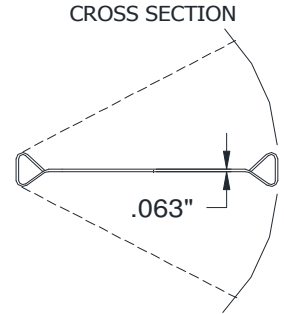
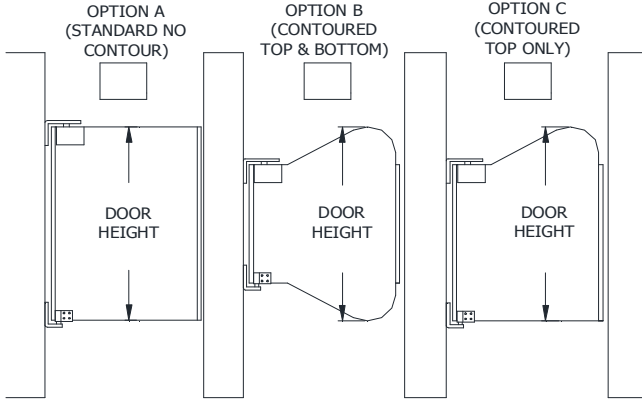
Attention: _____

Email: _____

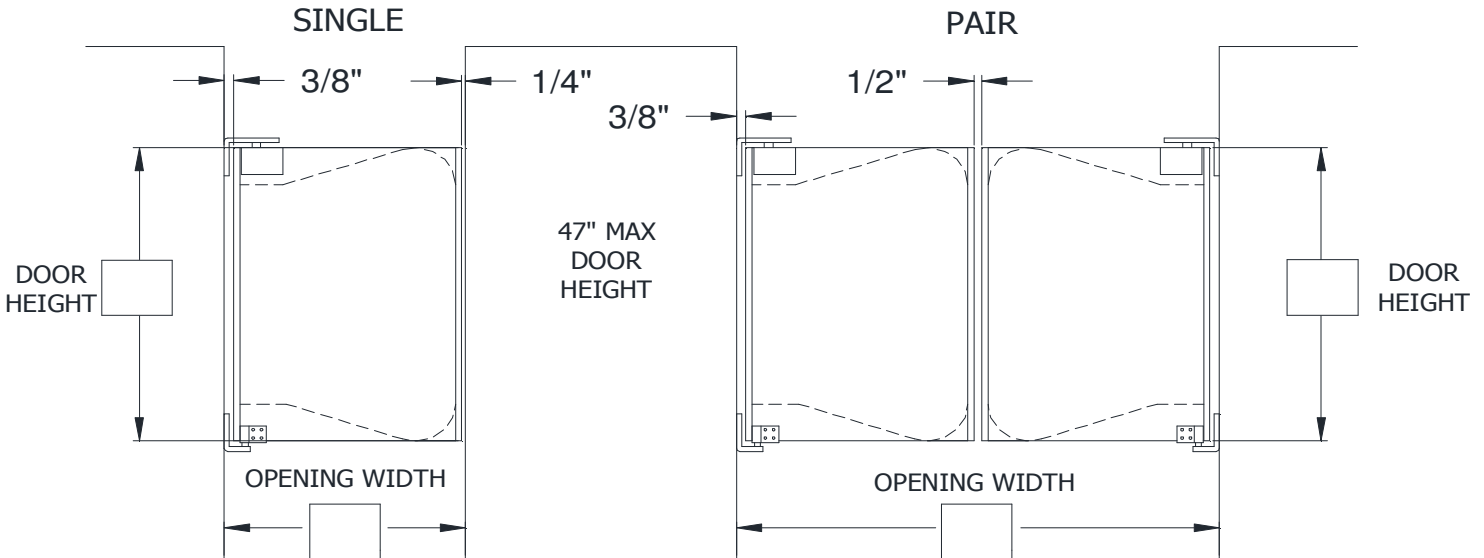
Phone#: _____

Job Name: _____

CHECK ONE BOX FOR OPTION WANTED



Fill in Door Sizing Below. Will Need Door Height, Opening Width, and Height of Door off the Floor



STANDARD SPECIFICATIONS: Door body .063" tempered aluminum alloy, satin anodized finish. Door assembly includes the original "NO SPRING" Easy Swing® hinges and both 1/4" - 20 x 1" thread cutting screws and #14 -1-1/2" sheet metal/wood screws for jamb by others. (Minimum cafe/gate height is 24")

INSTALLATION DETAILS: Jambs must be plumb and square. Minimum double 2" x 4" wood construction or equivalent. Hollow metal jambs should be reinforced at hinge locations.

SPECIFIC DETAILS FOR DOOR CONSTRUCTION:

ADDITIONAL SPECIFICATIONS: _____

APPROVED BY: _____

DATE: _____

Eliason Corporation

Phone: 800-828-3655

doors@eliasoncorp.com

Fax: 800-828-3577