

SPEC SHEET LWP-6

Quote/Order# _____

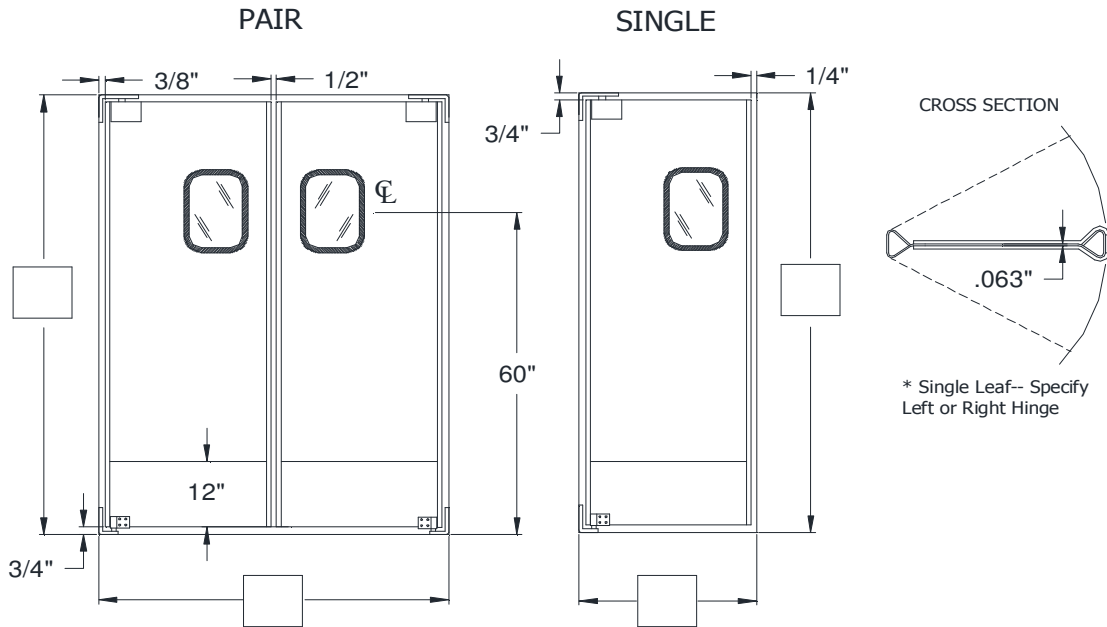
Company Name: _____

Attention: _____

Email: _____

Phone#: _____

Job Name: _____



Fill in Opening Size in the Blanks Provided Above

STANDARD SPECIFICATIONS: Door body .063" tempered aluminum alloy with High Pressure Laminate(HPL) on both sides. 12" high base plates stainless steel, both sides. 9" x 14" clear acrylic safety window set in black rubber molding. Door assembly includes the original "NO SPRING" Easy Swing® hinges and both 1/4" - 20 x 1" thread cutting screws and #14 -1-1/2" sheet metal/wood screws for jamb by others.

INSTALLATION DETAILS: Jambs must be plumb and square. Minimum double 2 x 4 inch wood construction or equivalent. Hollow metal jambs should be reinforced at hinge locations.

SPECIFIC DETAILS FOR DOOR CONSTRUCTION:

DOOR FINISH: Specify Laminate: _____.

JAMB GUARD: [] 3" X 9" [] 5" X 18"

WINDOW: [] Standard 9" X 14" In Black Rubber Molding, Up 60" to Center of Window from Floor
 [] Other: _____

PLATE: [] Standard 12" [] Specify Height: _____
 Color/Material: [] Stainless Steel [] Galvanized Steel [] Black ABS [] Other _____.

BUMPER: [] Aluminum Bumper Strip

OTHER SPECIFICATIONS: _____.

APPROVED BY: _____

DATE: _____