

SPEC SHEET LWP-3L

Quote/Order# _____

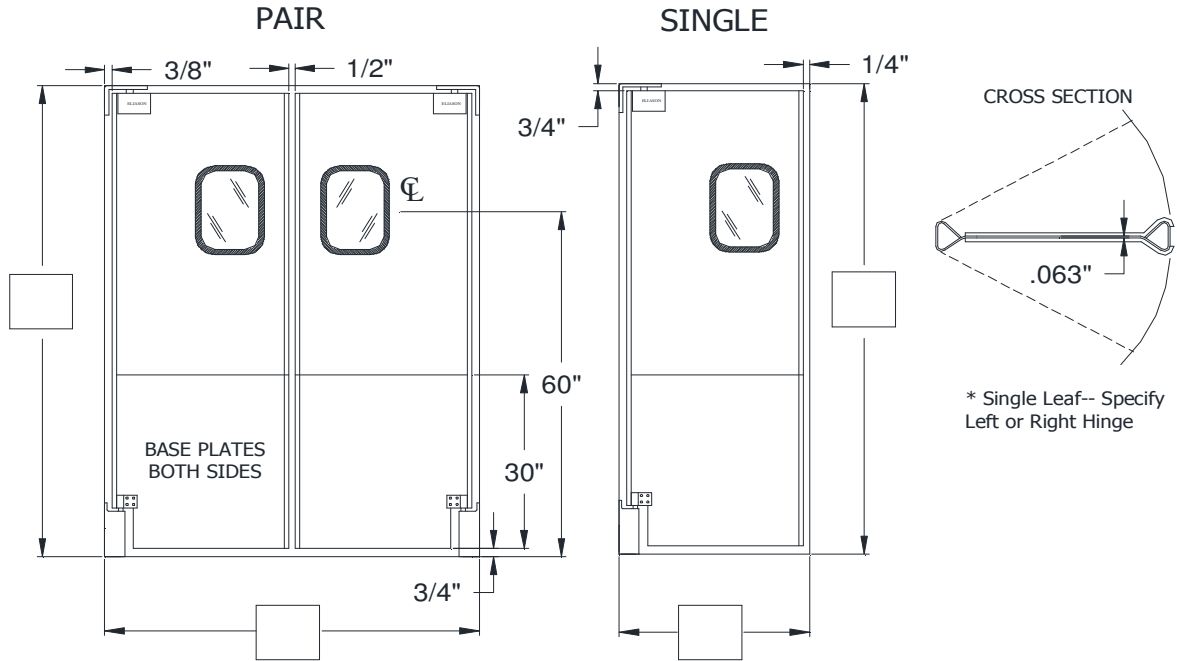
Company Name: _____

Attention: _____

Email: _____

Phone#: _____

Job Name: _____



Fill in Opening Size in the Blanks Provided Above

STANDARD SPECIFICATIONS: Door body .063" tempered aluminum alloy with satin anodized finish, both sides. 30" high base plates stainless steel front, galvanized steel rear. 3" x 9" jamb guards. 9" x 14" clear acrylic safety window. set in black rubber molding. Door assembly includes the original "NO SPRING" Easy Swing® hinges and both 1/4" - 20 x 1" thread cutting screws and #14 -1-1/2" sheet metal/wood screws for jamb by others.

INSTALLATION DETAILS: Jamb must be plumb and square. Minimum double 2 x 4 inch wood construction or equivalent. Hollow metal jamb should be reinforced at hinge locations.

SPECIFIC DETAILS FOR DOOR CONSTRUCTION:

WINDOW: Standard 9" X 14" In Black Rubber Molding, Up 60" to Center of Window from Floor
 Other: _____

OTHER SPECIFICATIONS: _____

APPROVED BY: _____

DATE: _____

Eliaison Corporation