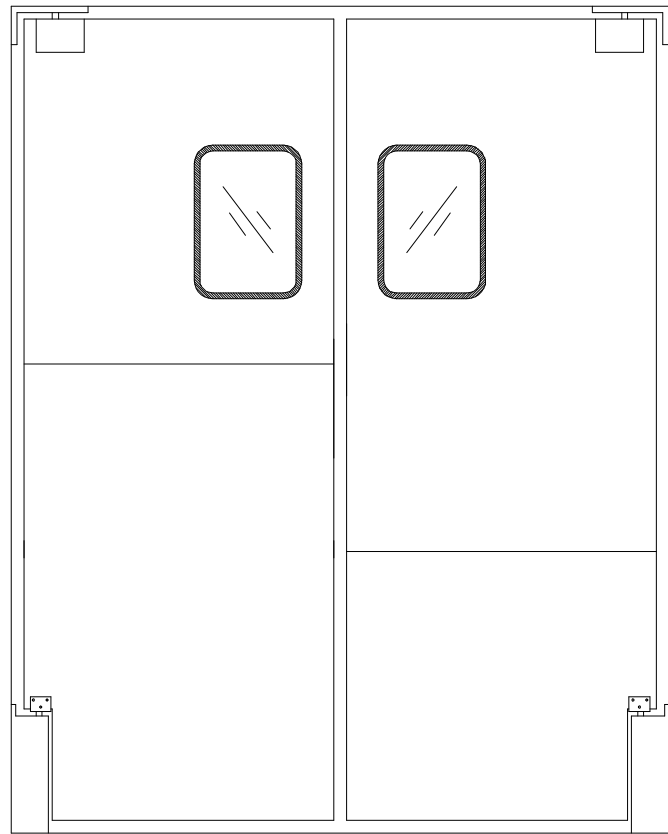
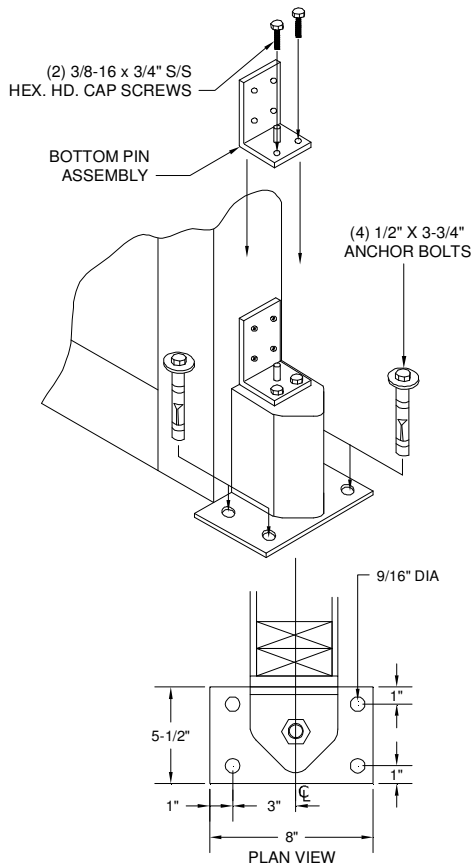


FIELD INSTALLATION INSTRUCTIONS STAINLESS STEEL 5" X 18" JAMB GUARDS



INSTRUCTIONS:

1. POSITION JAMB GUARD FLOOR PLATE ON CENTER LINE OF FINISHED JAMB AS SHOWN IN PLAN VIEW. BE SURE GUARD IS SQUARE WITH OPENING
2. USE JAMB GUARD BASE PLATES AS TEMPLATE TO LOCATE HOLES ON FLOOR.
3. USE 1/2" ANCHOR BOLTS TO SECURE JAMB GUARD TO FLOOR. DRILL (4) 1/2" DIA. HOLES 3-3/4" DEEP (MIN.). REMOVE INSPECTION TAG. DRIVE ANCHOR FLUSH WITH TOP OF BOTTOM PLATE. TORQUE BOLTS TO 60 FOOT LBS.
4. REMOVE 3/8-16 X 3/4" S/S HEX. HD. CAP SCREWS FROM TOP OF JAMB GUARD
5. POSITION BOTTOM PIN AND SECURE IN PLACE ON TOP OF GUARD
6. SECURE BOTTOM PIN TO SIDE JAMB WITH FASTENERS

NOTE:

- IF JAMB GUARDS ARE USED WITH ALUMINUM ALLOY DOORS, NYLON BUSHINGS ARE SUPPLIED TO FIT OVER PIN ON TOP OF JAMB GUARD.

ELIASON CORPORATION www.eliasoncorp.com

P.O. Box 2128 Kalamazoo, MI 49003
 Telephone: 269-327-7003/800-828-3655
 Fax: 269-327-7006/800-828-3577
 email: doors@eliasoncorp.com

P.O. Box 1026 Woodland, CA. 95776
 Telephone: 530-662-5494/800-828-2655
 Fax: 530-662-5192/800-662-5192
 email: doors@eliasonwest.com

ELIASON CORP. © 2004

