

# SPEC SHEET HCP-10L

Quote/Order# \_\_\_\_\_

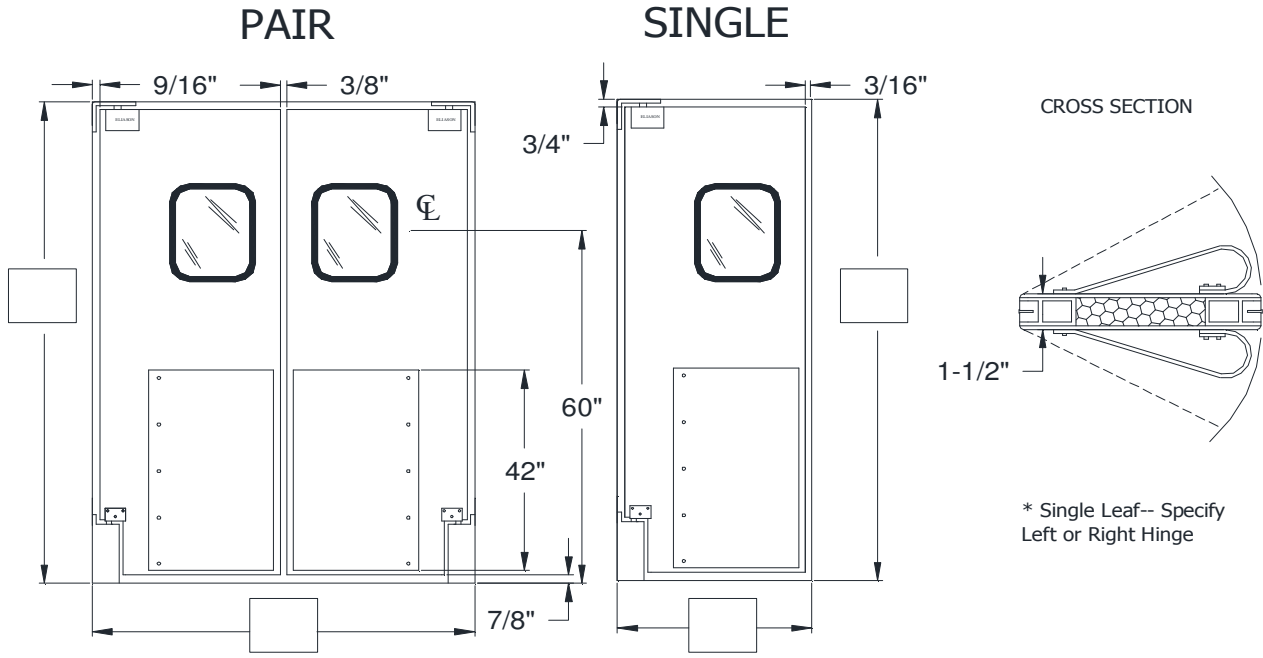
Company Name: \_\_\_\_\_

Attention: \_\_\_\_\_

Email: \_\_\_\_\_

Phone#: \_\_\_\_\_

Job Name: \_\_\_\_\_



**Fill in Opening Size in the Blanks Provided Above**

**STANDARD SPECIFICATIONS:** Door body 1-1/2" thick with high impact, thermoplastic material surface, bonded to a high strength PVC frame with a foam core. 42" easy spring bumper. 3" x 9" Jamb Guard. 14" x 16" clear acrylic safety window set in black rubber molding. Door assembly includes the original "NO SPRING" Easy Swing® hinges and both 1/4" - 20 x 1" thread cutting screws and #14 -1-1/2" sheet metal/wood screws for jamb by others.

**INSTALLATION DETAILS:** Jambs must be plumb and square. Minimum double 2 x 4 inch wood construction or equivalent. Hollow metal jambs should be reinforced at hinge locations.

**SPECIFIC DETAILS FOR DOOR CONSTRUCTION:**

DOOR COLOR: [ ] Forest Green [ ] Cadet Blue [ ] White [ ] Metallic Gray [ ] Cloud Gray [ ] Antique White  
 [ ] Chocolate Brown [ ] Red [ ] Medium Brown [ ] Royal Blue [ ] Navy [ ] Black [ ] Beige  
 [ ] Off White [ ] Fudge Brown [ ] Gray

WINDOW: [ ] Standard 14" X 16" In Black Rubber Molding, Up 60" to Center of Window from Floor  
 [ ] Other: \_\_\_\_\_

OTHER SPECIFICATIONS: \_\_\_\_\_

APPROVED BY: \_\_\_\_\_

DATE: \_\_\_\_\_

**Eliason Corporation**