

SPEC SHEET HCG-10

Quote/Order# _____

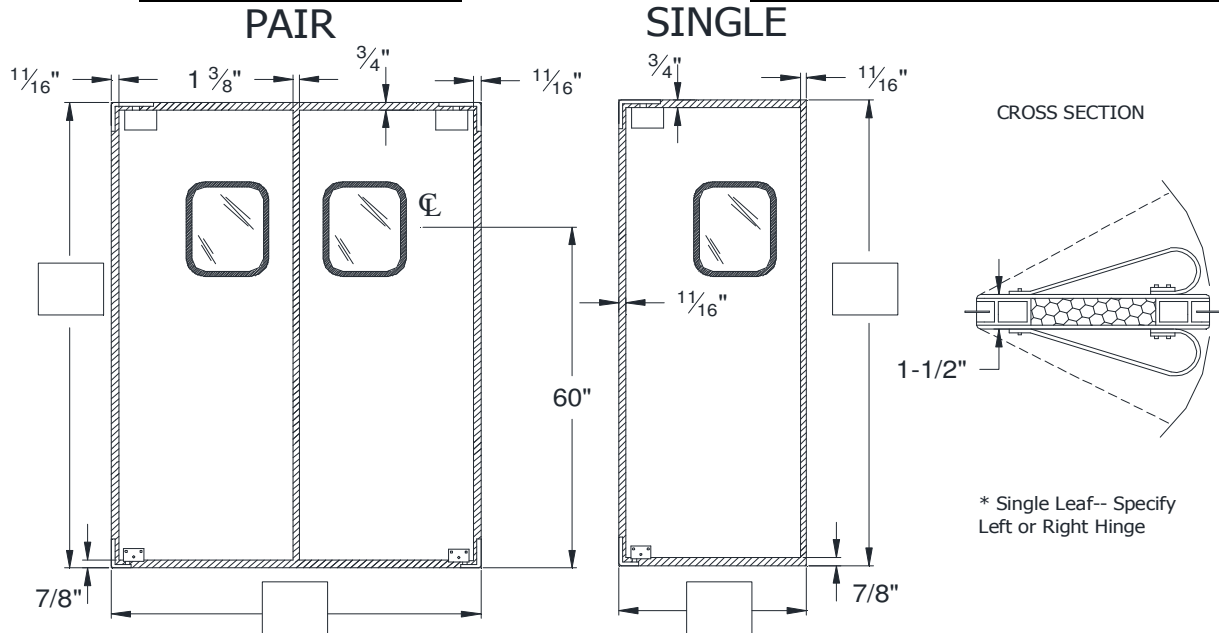
Company Name: _____

Attention: _____

Email: _____

Phone#: _____

Job Name: _____



Fill in Opening Size in the Blanks Provided Above

STANDARD SPECIFICATIONS: Door body 1-1/2" thick with high impact, thermoplastic material surface, bonded to a high strength PVC frame with a foam core. Provided with full perimeter seal. 18" easy spring bumper or 24" high scuff plates. 14" x 16" clear acrylic safety window set in black rubber molding. Door assembly includes the original "NO SPRING" **Easy Swing®** hinges and both 1/4" - 20 x 1" thread cutting screws and #14 -1-1/2" sheet metal/wood screws for jamb by others.

INSTALLATION DETAILS: Jambs must be plumb and square. Minimum double 2 x 4 inch wood construction or equivalent. Hollow metal jambs should be reinforced at hinge locations.

SPECIFIC DETAILS FOR DOOR CONSTRUCTION:

DOOR COLOR: [] Forest Green [] Cadet Blue [] White [] Metallic Gray [] Cloud Gray [] Antique White
 [] Chocolate Brown [] Red [] Medium Brown [] Royal Blue [] Navy [] Black [] Beige
 [] Off White [] Fudge Brown [] Gray

WINDOW: [] Standard 14" X 16" In Black Rubber Molding, Up 60" to Center of Window from Floor
 [] Other: _____

JAMB GUARD: [] 3" X 9" [] 5" X 18"

STANDARD OPTION: [] 18" Bumper OR [] 24" Black ABS Scuff Plate

BUMPER: Black Tear Drop Polyethylene Height: [] 12 [] 24 [] 30 [] 36 [] 42
 Aluminum Bumper Strip: []

PLATE: Specify Height: _____
 Color/Material: [] Black [] Same Color As Door [] Stainless Steel [] Other _____

OTHER SPECIFICATIONS: _____

APPROVED BY: _____

DATE: _____

Eliason Corporation