

# SPEC SHEET FCG3N (NSF CERTIFIED)

Quote/Order# \_\_\_\_\_

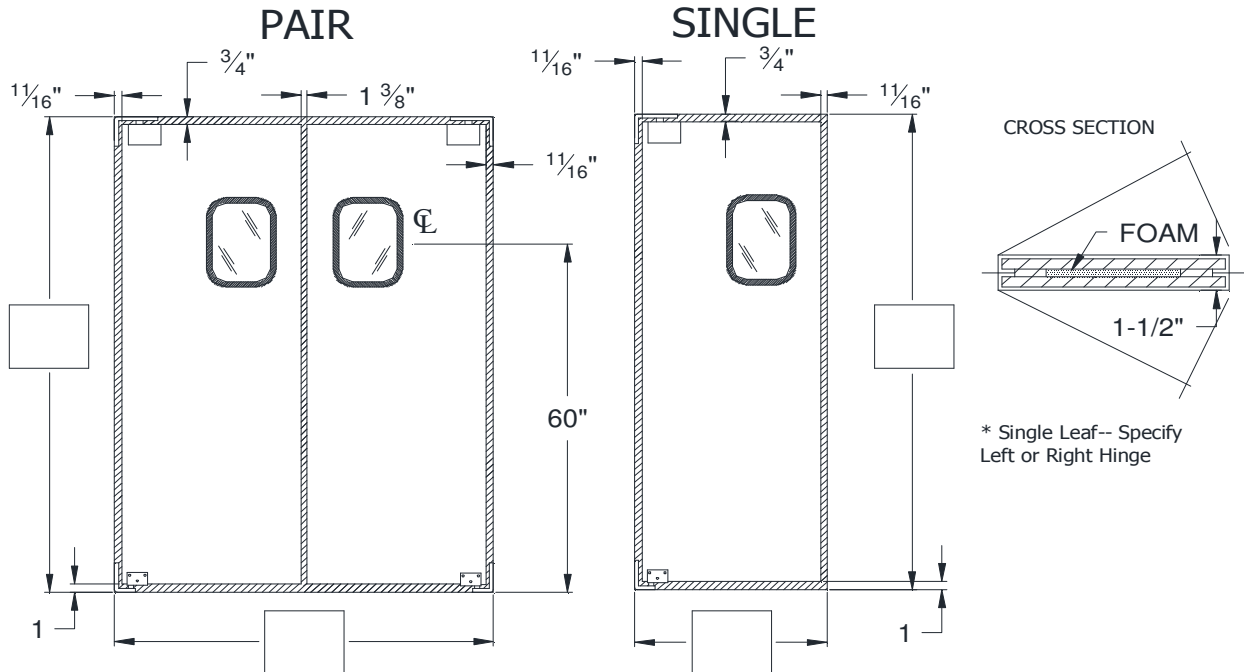
Company Name: \_\_\_\_\_

Attention: \_\_\_\_\_

Email: \_\_\_\_\_

Phone#: \_\_\_\_\_

Job Name: \_\_\_\_\_



**Fill in Opening Size in the Blanks Provided Above**

**STANDARD SPECIFICATIONS:** Door body 1-1/2" foam core gasketed, metal clad. Full height stainless steel panels, both sides including hinge covers. 9" x 14" clear acrylic safety window set in black rubber molding. Door assembly includes the original "NO SPRING" Easy Swing® hinges and both 1/4" - 20 x 1" thread cutting screws and #14 -1-1/2" sheet metal/wood screws for jamb by others.

**INSTALLATION DETAILS:** Jambs must be plumb and square. Minimum double 2 x 4 inch wood construction or equivalent. Hollow metal jambs should be reinforced at hinge locations.

**SPECIFIC DETAILS FOR DOOR CONSTRUCTION:**

WINDOW:             Standard 9" X 14" In Black Rubber Molding, Up 60" to Center of Window from Floor  
                           Other: \_\_\_\_\_

JAMB GUARD:     3" X 9"     5" X 18"

PLATE:            Specify Height: \_\_\_\_\_  
                          Color/Material:  Stainless Steel     Galvanized Steel     Black ABS     Other \_\_\_\_\_

BUMPER:            Standard Black Tear Drop Polyethylene, Height:  12     18     24     30     36     42  
                          Aluminum Bumper Strip:

OTHER SPECIFICATIONS: \_\_\_\_\_

**APPROVED BY:** \_\_\_\_\_

**DATE:** \_\_\_\_\_