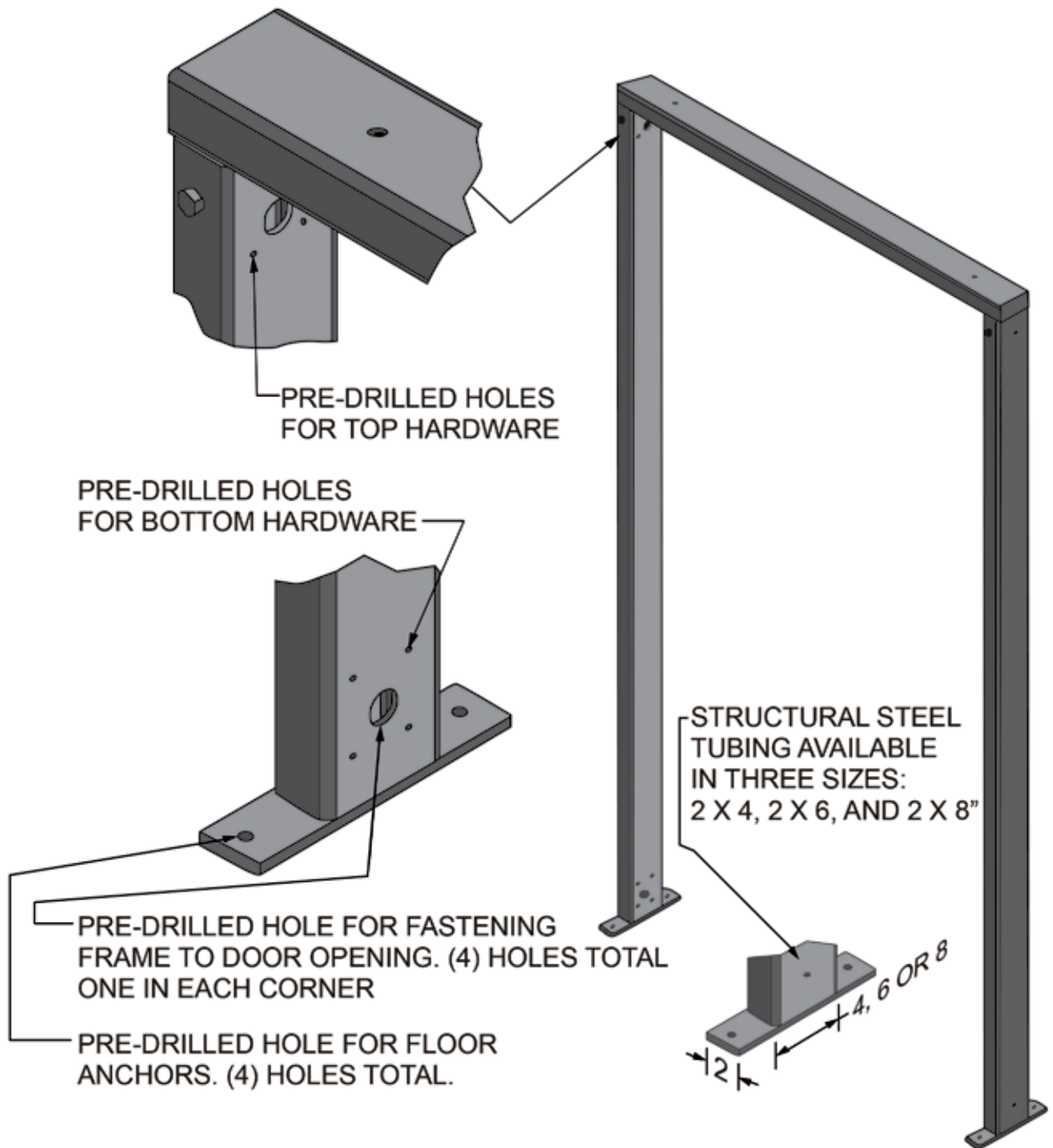


STRUCTURAL TUBE FRAME



ROUGH OPENING WIDTH = FINISHED OPENING WIDTH + 4.25"
ROUGH OPENING HEIGHT = FINISHED OPENING HEIGHT + 2.1875"



Over 60 Years Strong • www.eliasoncorp.com • (800) 828-3655



9229 SHAVER ROAD, KALAMAZOO, MI 49024 • FAX (800) 828-3577