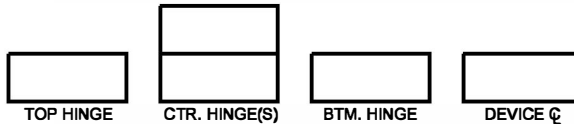
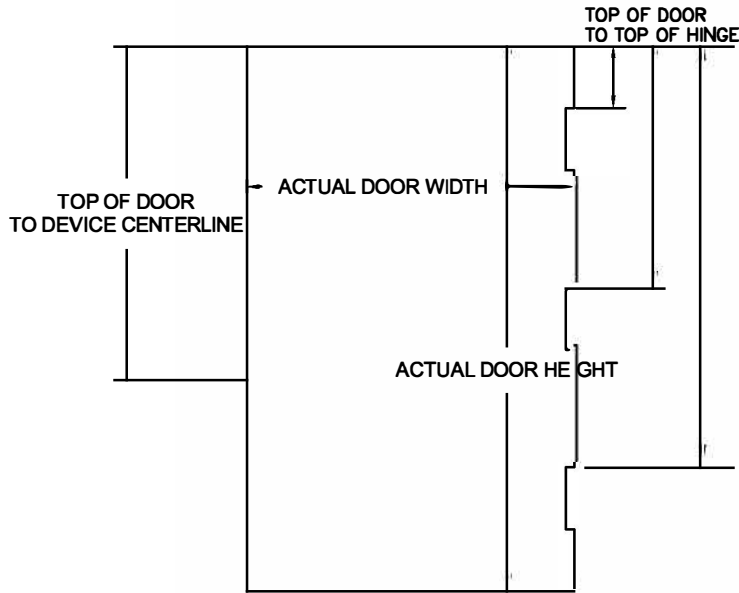


- HEAVY DUTY
- EXTREME DUTY
- FIRE RATED
- 20 MIN \_\_\_\_ 30 MIN \_\_\_\_ 45 MIN \_\_\_\_
- 60 MIN \_\_\_\_ 90 MIN \_\_\_\_
- WIND LOAD RATED
- DESIGN PRESSURE \_\_\_\_ PSF

**COLOR**

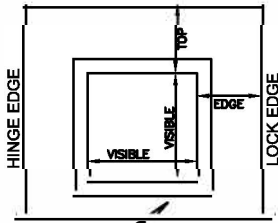
- POLAR WHITE
- CASHEW TAN
- MIST GRAY
- PRIMER
- OTHER \_\_\_\_\_



**HARDWARE PREPARATIONS & REINFORCEMENTS**

- 4-1/2" MORTISE HINGES
  - 3  4  5
- 5" MORTISE HINGES
  - 3  4  5
- D** CONTINUOUS HINGE REIN. \*
- CYLINDRICAL 161 LOCK
- CYLINDRICAL DEADBOLT
- MORTISE DEADLOCK \*
- MORTISE 86 LOCK
- MORTISE EXIT DEVICE
- RIM EXIT DEVICE
- SVR EXIT DEVICE
- CVR EXIT DEVICE \*
- CLOSER REIN.
- PUSH/PULL PLATES REIN.
- SURFACE OH HOLDER/STOP REIN.
- CONCEALED OH HOLDER/STOP \*
- D** SURFACE DOOR BOTTOM REIN.
- CONCEALED DOOR BOTTOM \*
- OTHER \*

\*MAKE & MODEL REQUIRED



**STANDARD 1/4" GLASS SIZES:**

- 8 x 30 (6-1/2 x 28-1/2 VISIBLE)
- 12 x 12 (10-1/2 x 10-1/2 VISIBLE)
- 24 x 24 (22-1/2 x 22-1/2 VISIBLE)
- 24 x 30 (22-1/2 x 28-1/2 VISIBLE)

**GLAZING TYPE AND THICKNESS:**

- 1/4" TEMPERED
- 1/4" WIRE
- 1/4" LEXAN
- CUTOUT ONLY (NO KIT)
- OTHER \_\_\_\_\_

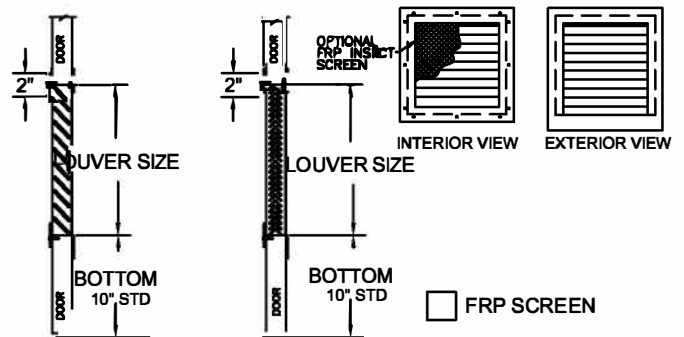
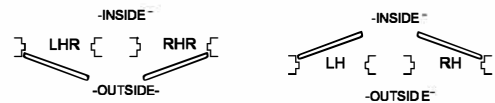
**CUSTOM SIZES:**

- VISIBLE WIDTH \_\_\_\_\_
- VISIBLE HEIGHT \_\_\_\_\_
- TOP TO VISIBLE \_\_\_\_\_
- EDGE TO VISIBLE \_\_\_\_\_
- CENTER HORIZONTALLY

**GLAZING:**

- BY ELIASON
- BY OTHERS

**VISION LIGHT**



FLAT BLADE

V BLADE

SIZE: \_\_\_\_\_

ELIASON STANDARD SIZES ARE 18x18, 24x18, 24x24.

**SINGLE DOOR ONLY**

CUSTOMER: \_\_\_\_\_

PROJECT: \_\_\_\_\_

DOOR MARK: \_\_\_\_\_

CUSTOMER NOTES: \_\_\_\_\_

\_\_\_\_\_  
 \_\_\_\_\_  
 \_\_\_\_\_



800.828.3655