



**12 GAUGE C-CHANNEL FRAME
Installation Instructions**

**Notice to Installer
(Read this notice before starting the installation)**

It is in the installer's best interest that the frames be installed properly. Please read and follow the installation instructions carefully to avoid costly time on the job correcting installation mistakes.

Eliason warrants our products for defects in material and workmanship only. Since the installation of our products is beyond our control, Eliason does not warrant labor.

Safety First!

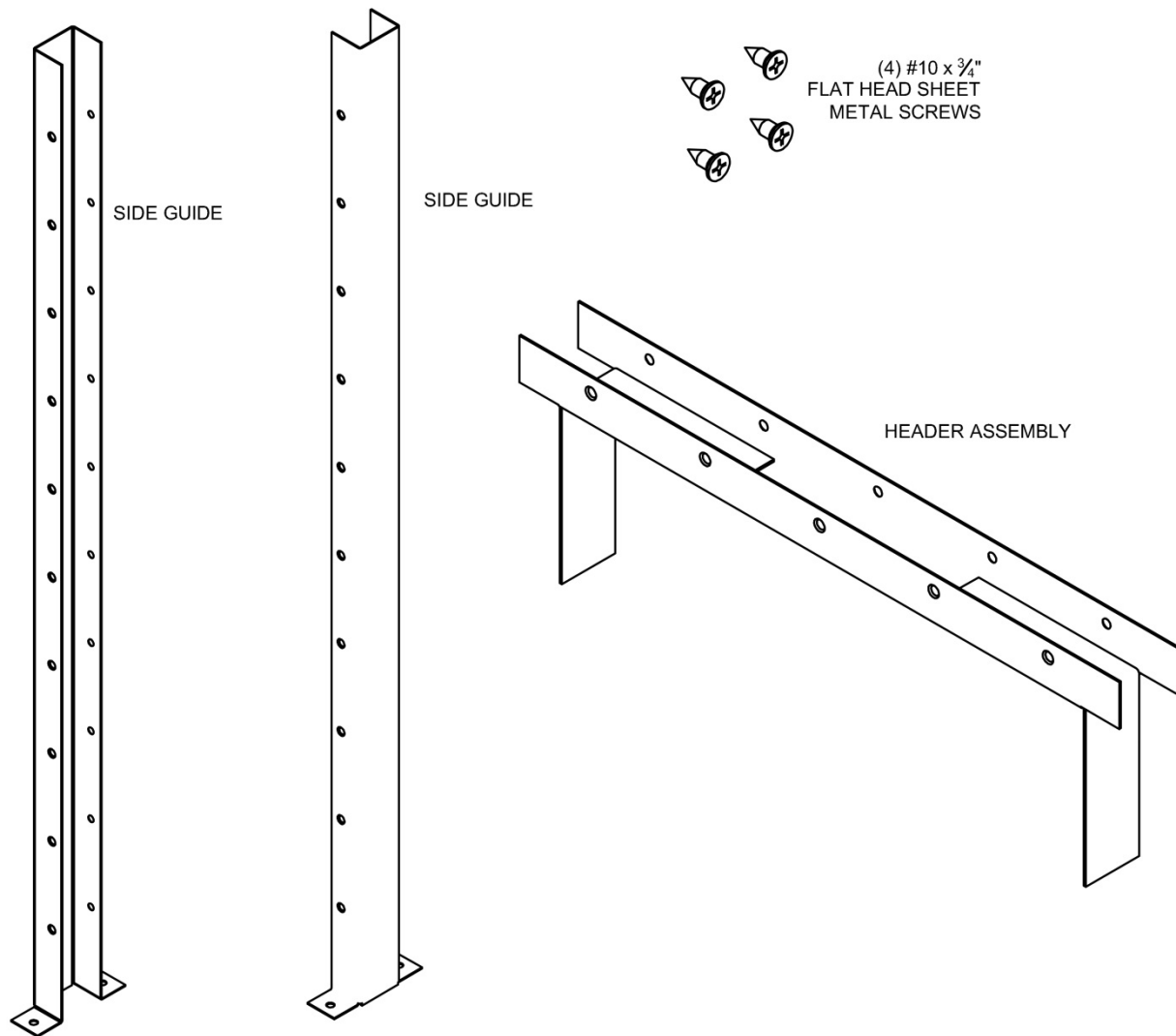
Personal safety equipment should be worn during the installation of this product. Make sure that all tools and equipment are in safe, good working order. Large or heavy parts should be handled by 2 or more people to insure safety. Maintain a clean, safe working environment. Use safety barriers to block off the designated working area, preventing unauthorized personnel from entering the area when installing this product. Only qualified personnel should use power tools. Always follow all OSHA regulations when installing Eliason products. Never work in an unsafe environment.

Eliason can be reached at 1-800-828-3655 if assistance is required. Only qualified and experienced door installers should attempt to install or service this product.

STEP #1

Note: The following procedures assume that the panel or wall that the door is to be mounted to is level and plumb in all directions. Correct any problems found before proceeding. Proper installation depends on these conditions being satisfied.

Check all of the contents of the package to make sure that all of the components of the channel steel frame including 2 side jambs, and 1 header assembly are included. If anything is missing contact Eliason toll free at 800.828.3655 and ask for assistance. Please have the Sales Order Number ready when calling so we can quickly find your order and provide you with rapid service.



STEP #2

Check the opening that you plan to install the frame in. Measure the opening to insure that the dimensions are correct. (The rough opening should be the finished opening plus 1 ¼" in width and 5/8" in height). The opening must also be plumb and square. If the opening is slightly off, you may need to modify the wall or install shims to insure proper fit. (Shims are not included.) Check the floor for level as well. If the floor slopes up or down, use the higher side as the low point to install the frame. You will need to install shims on the lower side of the frame to bring that side up to being level with the higher side of the frame if the floor slopes up or down.

STEP #3

Determine if the frame is to be installed in an existing wall, or to be installed in a new wall. If the frame is going into an existing wall, follow step 3A. If the application is new construction, follow step 3B.

Step 3A - Existing Wall Construction

Frames installed in an existing opening must be fitted around the wall, and then assembled in place. Slip the header piece in place, then measure to insure that the dimension from the top is correct. Adjust the header up or down slightly to get the proper finished opening. Install one fastener on each side in the center mounting hole of the header to hold this part in place. **DO NOT TIGHTEN.** The fasteners may need to be removed later. See Figure 1-A.

After the header is held in place, install the side frames in the opening by sliding them over the wall. If the opening is a single panel door, keep in mind that one side of the frame will be pre-drilled for the door installation. The hinge side will be the upright that has holes drilled for installation of the door hardware. Make sure that this part is on the correct side of the opening for the correct swing. (See Figure 2-A)

Fasten the side frames to the header piece using fasteners provided. At this point you may need to loosen or completely remove the screws previously installed in the header to properly assemble the frame. After the frame has been assembled, re-check frame to insure that it is plumb and square.

After verifying that the frame is correct, install fasteners in the side and header assembly to fix the frame to the wall. Install floor bolts (by others) to permanently fix the frame in place as well.

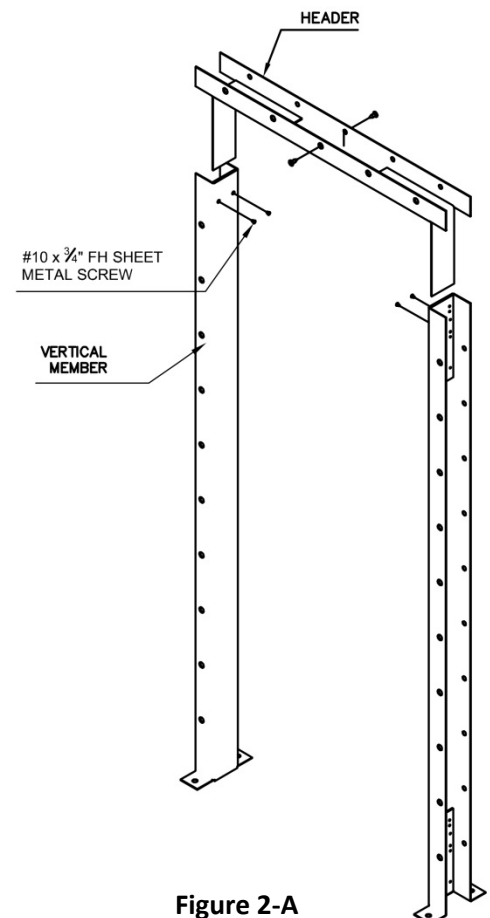
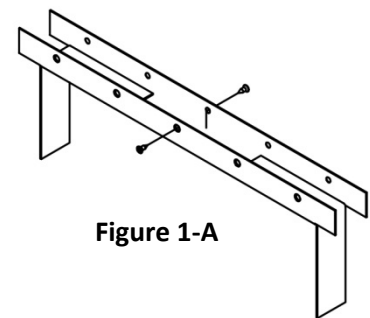


Figure 2-A

STEP #3 cont.

Step 3B - New Wall Construction

If the frame is going to be installed in a new wall, the steps in 3A can be followed and build the wall and set the frame, or set the frame first, or set the frame and build the wall around the frame. To set the frame first, proceed as follows:

- Assemble the 3 pieces of the Channel frame on the floor, using fasteners provided. (See Figure 3A & 3B)
- Pick the frame up and set it where the finished opening will be in the wall.
- Make sure the floor is level. If floor slopes up or down, you will need to shim the LOW side of the frame up so that the frame is level. Use two people to perform this step - one person to hold the frame in place and the other to check and measure.
- After locating and checking the frame for level & square, fasten one side of the frame in place using floor anchors (by others). Make sure the center line of the frame is the same as the center line of the wall. After one side is fastened to the floor, measure the other leg to make sure that the frame is set to the finished opening. (Cutting a piece of wood to the finished opening is an easy method of establishing the finished opening.)
- After ensuring that the second frame leg is in the proper position, fasten the second leg to the floor using anchors (by others).
- If the frame is going to be set in place and the wall not immediately built, we recommend that temporary framing be installed to hold the steel frame in place. Doors should not be installed until the wall has been completed and the frame is attached to the wall. Once the wall is completed, install the fasteners to securely attach frame to new wall.

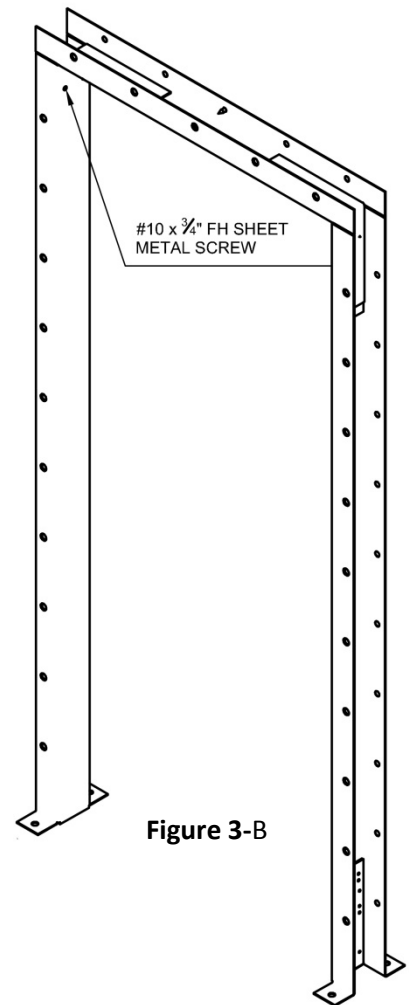


Figure 3-B

STEP #4

Once the frame has been installed in the opening, double check all fasteners to make sure that they have all been tightened. Check once more to see that the finished opening is plumb, square and the opening is correct dimension. If the opening is out of square or not the correct dimensions refer to Steps 3A & 3B to correct the problem.

Once the frame has been installed, proceed with installing the door; please refer to the door installation instructions that are included with the door.

Contact Eliason toll free at 800.828.3655 if you encounter any problems, or have problems with the installation.

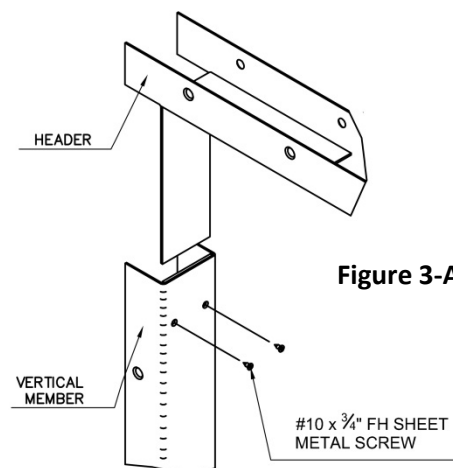


Figure 3-A