



## Installation Instruction for 8000 Series Doors

### STEP A—PREPARATION

Frame opening should be measured and compared with order dimensions for both width and height. Size of door is marked on shipping carton. Frame opening must be square and plumb—if not, the frame must be plumbed. **THE DOOR MUST BE INSTALLED PLUMB.**

### STEP B—LOCATING AND DRILLING HOLES:

1. Examine hardware (Mid-Rise V-Cam and Lower Hinge Guard or Lower Pin) and compare to the illustration prior to drilling.  
\*SEE PAGE 3 FOR HOLE LOCATIONS\*

### STEP C—INSTALLATION OF DOOR PANEL

1. Slip V-Cam over upper pin assembly. Then slip roller assembly over the upper pin until the pin is **flush** with the top of the roller assembly and the centerline of the bearing is in line with the door centerline. Tighten the upper socket head cap screw in the roller assembly with an allen wrench.
2. Fasten Lower Pin or Lower Hinge Guard (LHG) to door jamb with 1 fastener. **DO NOT TIGHTEN.**
3. Slip lower pin assembly into the LHG or onto the lower pin.
4. Once lower pin is engaged, lift door to upright position and fasten V-Cam, upper hinge shock absorber and upper backer plate to jamb with (4) fasteners as shown on pg 3. Tighten (4) fasteners.

NOTE: To remove door at any time in the future, remove the (4) upper fasteners, and (3) lower fasteners.

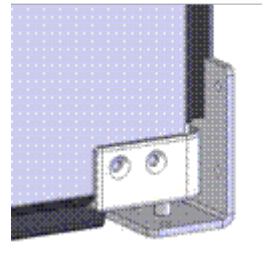
5. Lower hinge assembly must be lubricated at this point.

NOTE: Door must be plumb and swing freely at this point.

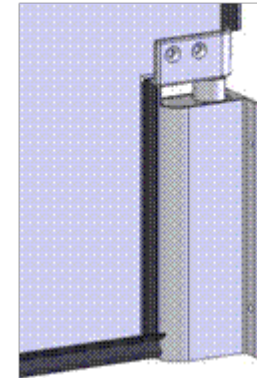
### TOOLS REQUIRED:

3/8" drive ratchet handle  
3/8" drive 3/8" 6pt. Socket  
1/2" open end wrench  
9/16" open end wrench  
Hammer  
Level or Plumb Bob  
Drill  
Drill Index  
Extension Cord  
Measuring Tape  
Center Punch  
Allen Wrench

LOWER PIN



LOWER HINGE GUARD



Scan for Video

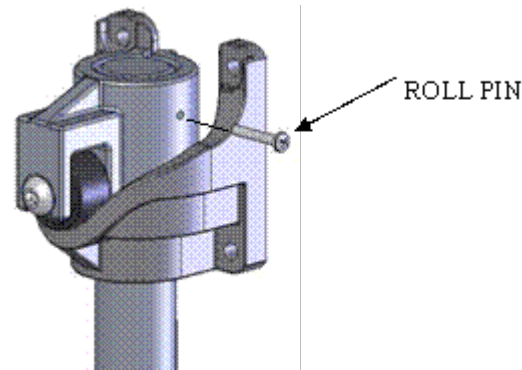
### STEP D—ALIGNING AND SEALING:

In and out (swing) adjustment.

- Slip the 7/8" plywood block (in parts bag) under the door. Loosen upper set-screw on roller assembly.
- Align top of door panel with centerline of header. Maneuver roller assembly into its closed position.
- Retighten upper screw securely and remove the 7/8" plywood block. Open door 45 degrees and tighten the lower roller assembly screw.
- Upper hinge assembly must be lubricated at this point.

**STEP E:** To install the second door panel, block the first door open and repeat the installation procedure.

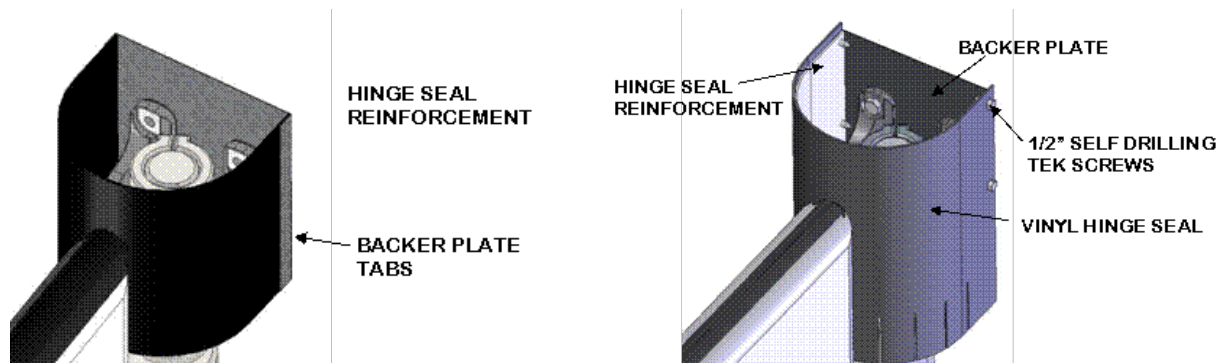
**STEP F:** A 5/16" x 2" stainless steel roll pin is provided to set panels to the proper closing position and to prevent any slippage in the roller assembly due to impact. While the door is in the closed position drill a 5/16" hole directly through the side of the roller assembly into and through the hinge adapter. Insert roll pin into the drilled hole.



### STEP G—Install top hinge covers:

Bend the reinforcement part of the upper hinge seal to the inside of the backer plate and remove the cover on the tape so it sticks in place. Slide the vinyl hinge seal over the ABS with the slits facing downward. Remove the tape covering on the backer plate so the vinyl sticks in place. Use the 1/2" self-drilling screws to secure the seal in place.

**IMPORTANT NOTE:** The Black ABS hinge reinforcement is to be formed to the inside of the Backer Plate tabs as shown.



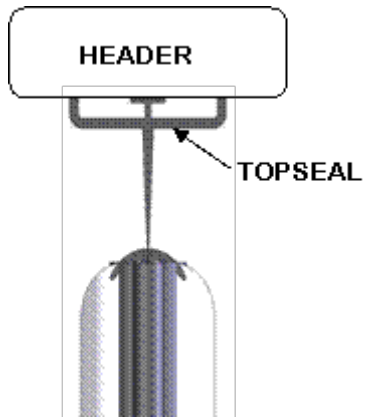
**STEP H—Install header seal:** (Fully gasketed door only.)

NOTE: (If door is equipped with a spring assist assembly, complete installation per attached instructions at this point.)

Top seal is centered on the header as shown.

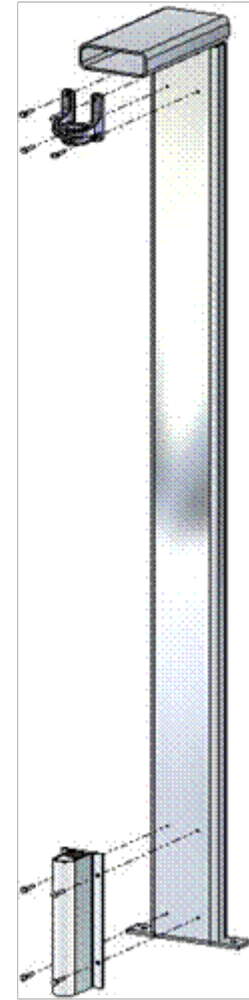
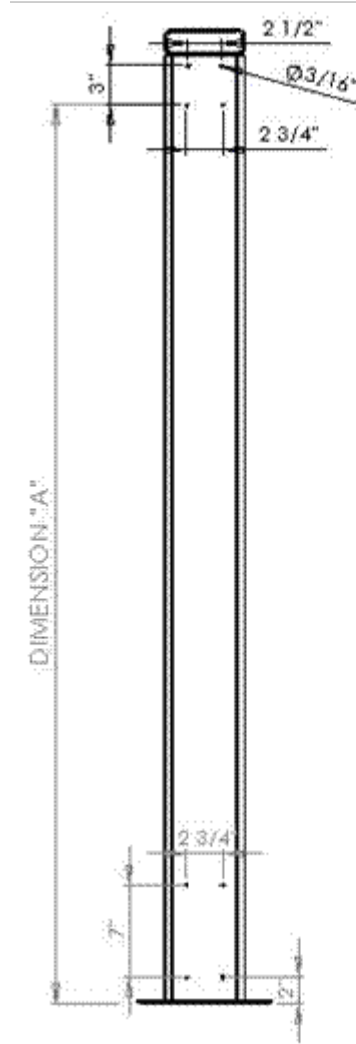
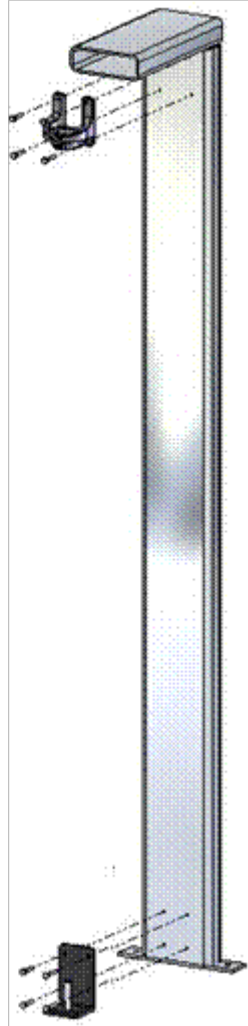
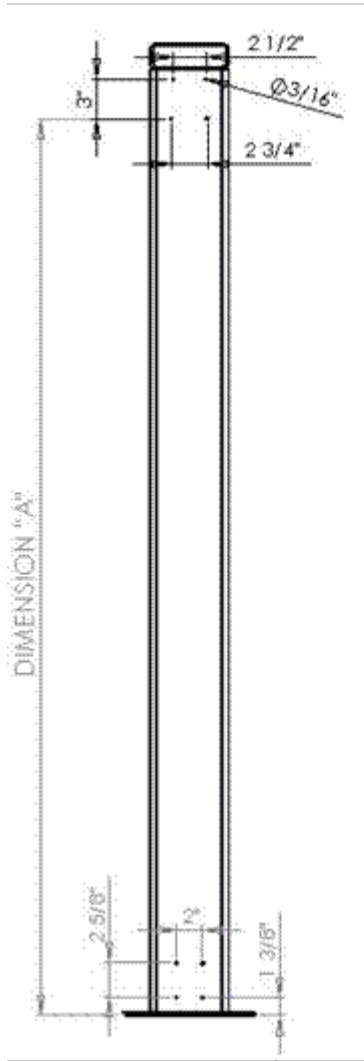
Single Door—Top seal is flush with the lead edge jamb. Trim top seal to length to fit between jamb and cover.

Double door—Two top seals are sent to keep from tearing in the middle. Trim top seals to length to fit so the seam is in the center of the opening and the end is flush to the hinge cover.



# HOLE LOCATIONS

DIMENSION "A" = FINISHED OPENING HEIGHT - 4 3/8"



# Maintenance Program

A regular maintenance program is the easiest way to ensure trouble-free operation of the door. Your program should include regularly scheduled lubrication and cleaning procedures. While this is being done, the door seals can be inspected visually. Gaskets should be checked for cuts and tears. The top seal and hinge seals should be securely fastened to jamb material and free from worn spots or tears. The door should open and close freely. When closed, the door should be centered in the opening. Double doors should also seal in the middle where gaskets touch. Bumpers or kick plates and hinge adapters should be examined for loose fasteners.

**Our recommendations for lubrication and cleaning are as follows:**

## **Hinge System:**

Open door. Lubricate the upper hinge adapter and roller assembly by spraying under the hinge cover. Direct the lubricant at the inside of the V-Cam and the roller. Lubricate the lower hinge adapter by opening the door and spraying the exposed shaft. Cycle the door a few times to distribute the lubricant evenly.

Suggested lubricants are silicone spray. The roller can be further lubricated by using a light grease such as LUBRI PLATE or MS20 products.

Lubrication interval: Normal Usage: Monthly

Heavy Usage: Weekly

## **Door Panel**

Wash door panel with detergent, either sponged or sprayed on. Dish washing detergent mixed with water (50/1) works well. Rinse thoroughly, dry and apply a plastic treatment, such as ARMOR-ALL, to the panel.

## **Window Cleaning:**

Wash the window with a mild soap and dry with a soft cloth. **Do not use solvents or petroleum products on windows.**

---

## **Troubleshooting and Repair:**

As with any product designed for impact, the door will suffer some wear and tear over years of use. We have developed a troubleshooting procedure to help identify the most common problems and repair directions to assist in returning the door to operational condition. It is important, in following the troubleshooting procedure that accurate measurements be taken where needed.

To remove the door or seals a 3/8" drive ratchet handle fitted with a 3/8" 6 pt. socket and a 3/16" hex key is needed. If you have installed your doors, you will want to keep the 7/8" plywood block provided.

## **Troubleshooting Procedure:**

General Problems:

1. Doors will not swing properly.

Lubricate top and bottom hinge adaptor shafts. Lubricate roller assembly.

If still a problem, loosen (4) V-Cam fasteners and (4) pillow block fasteners one turn and cycle door 90 degrees in both directions to align hardware. Retighten fasteners.

2. Gaskets binding or rubbing.

Roller assembly loose? Adjust height and tighten (2) socket head caps screws.

Back gasket binding? Is the jamb a flat surface between V-Cam and lower hinge guard?

Back gasket still binding when jamb is flat? Place shims (1/8") behind V-Cam and lower hinge guard or slit back gasket vertically.